

Push Button Switches

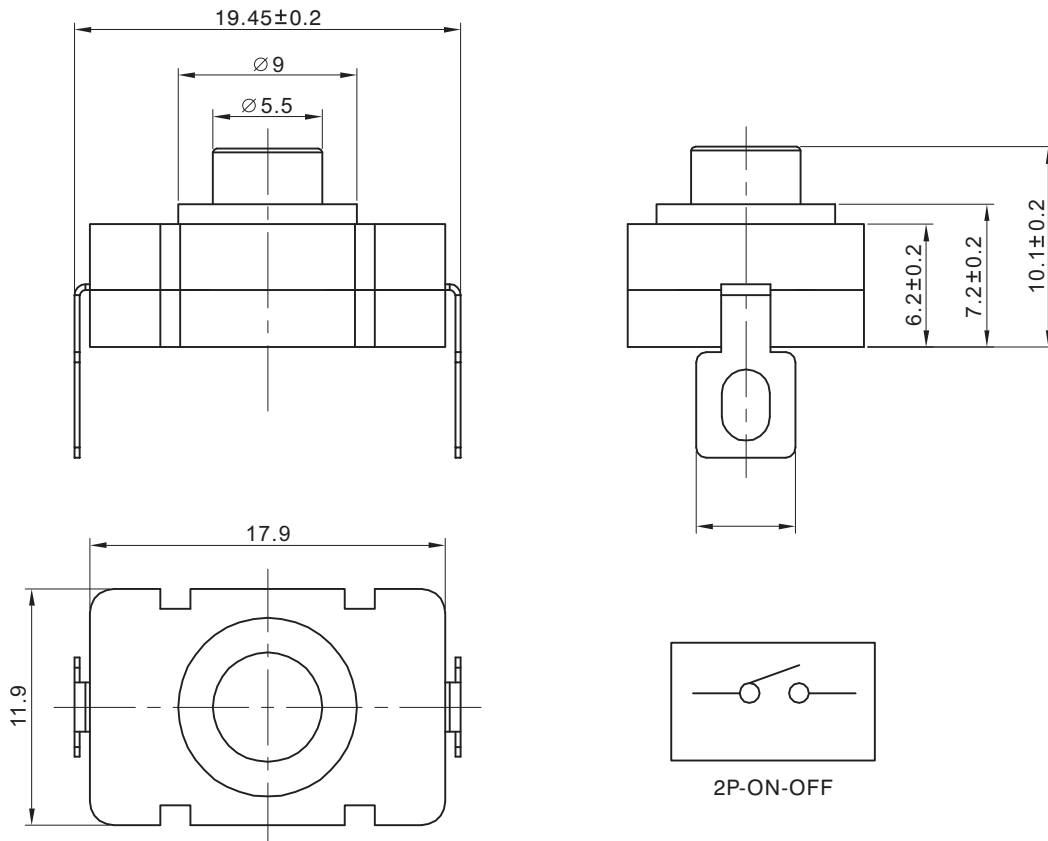
KLS7-KAN8-008A Push Button Switches

Electrical:

- 1. Rated load: 1.5A 250V AC
- 2. Contact Resistance: $\leq 50m\Omega$
- 3. Insulation Resistance: $\geq 100M\Omega$
- 4. Withstand Voltage: 500V AC 1minute
- 5. Actuating Force: $750g \pm 50g$
- 6. Electrically Life: ≥ 50000 cycles
- 7. Environment temperature: $-40^{\circ}C \sim +70^{\circ}C$

Materials:

- 1. Base: POM
- 2. Cover: POM
- 3. Upper teeth: POM
- 4. Bottom teeth: POM
- 6. Contact: H65 brass band $TM = 0.3mm$
- 7. Horizontal needle: H62 brass band $Y1 = 0.28mm$



ORDER INFORMATION

Product NO.: KLS7-KAN8-008A

Part Number

Serial Number