

Push Button Switches

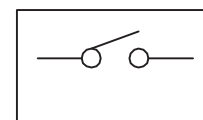
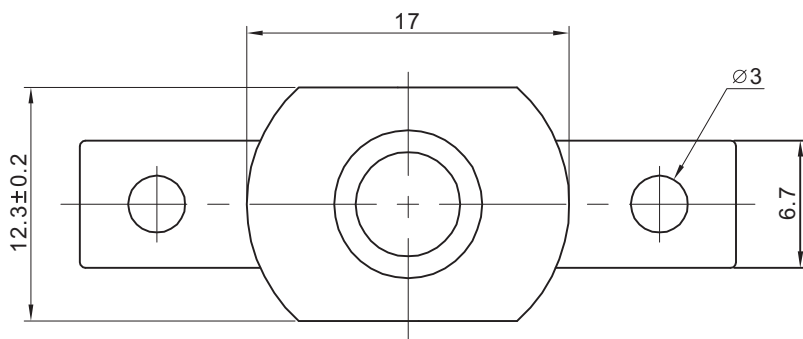
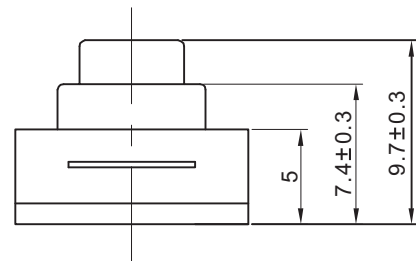
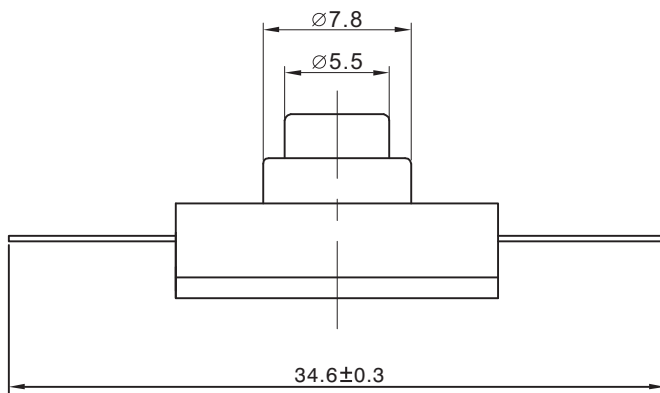
KLS7-KAN8-105A Push Button Switches

Electrical:

1. Rated load: 1.5A 250V AC
2. Contact Resistance: $\leq 50\text{m}\Omega$
3. Insulation Resistance: $\geq 100\text{M}\Omega$
4. Withstand Voltage: 500V AC 1minute
5. Actuating Force: $750\text{g} \pm 50\text{g}$
6. Electrically Life: ≥ 50000 cycles
7. Environment temperature: $-40^\circ\text{C} \sim +70^\circ\text{C}$

Materials:

1. Base: POM
2. Cover: POM
3. Upper teeth: POM
4. Bottom teeth: POM
6. Contact: H65 brass band $\text{TM} = 0.3\text{mm}$
7. Plain: H62 brass band $\text{Y1} = 0.28\text{mm}$



2P-ON-OFF

ORDER INFORMATION

Product NO.: KLS7-KAN8-105A

Part Number

Serial Number