

## Push Button Switches

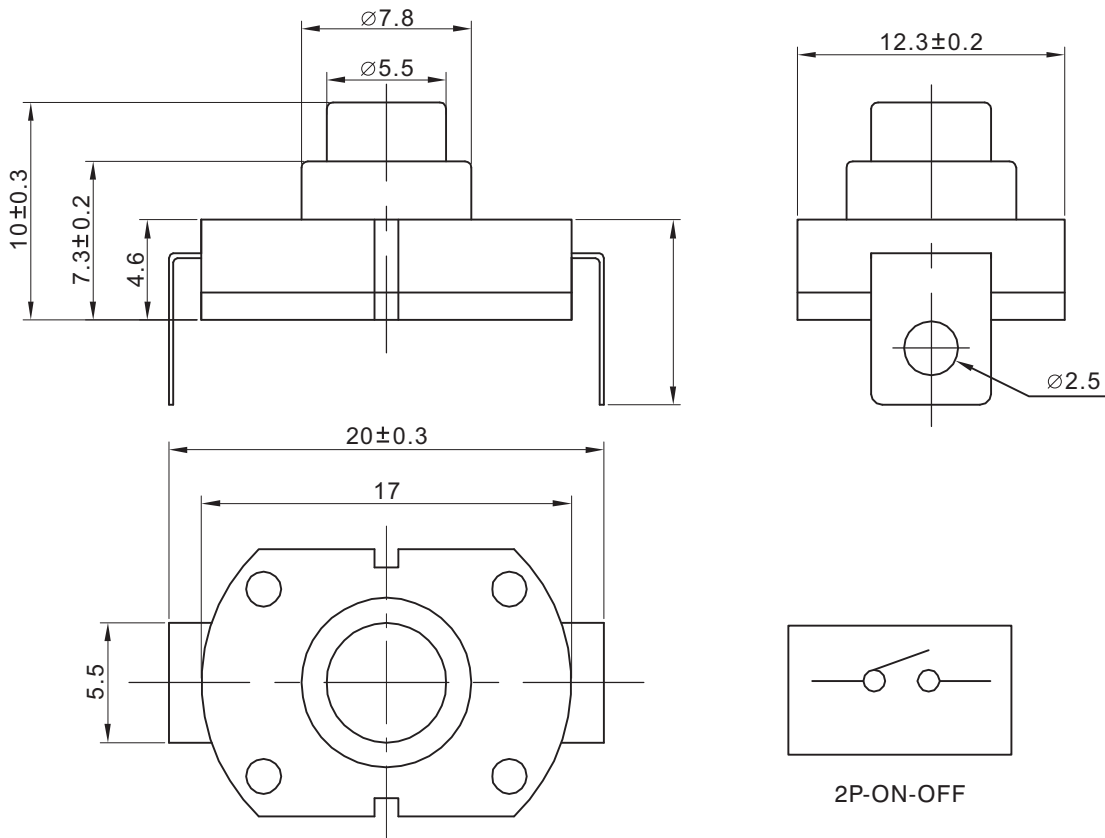
### KLS7-KAN8-104A Push Button Switches

**Electrical:**

1. Rated load: 1.5A 250V AC
2. Contact Resistance:  $\leq 50m\Omega$
3. Insulation Resistance:  $\geq 100M\Omega$
4. Withstand Voltage: 500V AC 1minute
5. Actuating Force:  $750g \pm 50g$
6. Electrically Life:  $\geq 50000$  cycles
7. Environment temperature:  $-40^{\circ}C \sim +70^{\circ}C$

**Materials:**

1. Base: POM
2. Cover: POM
3. Upper teeth: POM
4. Bottom teeth: POM
6. Contact: H65 brass band TM = 0.3mm
7. Vertical needle: H62 brass band Y1 = 0.28mm



## ORDER INFORMATION

Product NO.: KLS7-KAN8-104A

