

## Push Button Switches

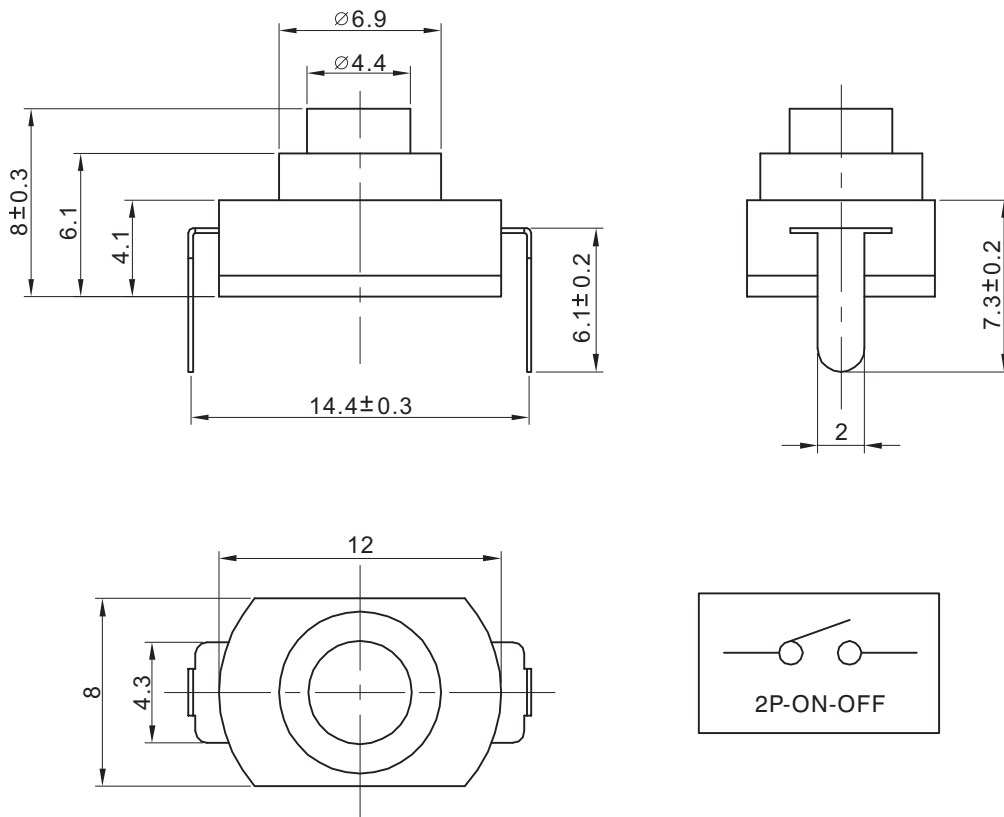
### KLS7-KAN8-001J Push Button Switches

#### Electrical:

1. Rated load: 0.5A 50V DC
2. Contact Resistance:  $\leq 100\text{m}\Omega$
3. Insulation Resistance:  $\geq 100\text{M}\Omega$
4. Withstand Voltage: 500V AC 1minute
5. Actuating Force:  $750\text{g} \pm 50\text{g}$
6. Electrically Life:  $\geq 50000$  cycles
7. Environment temperature:  $-40^\circ\text{C} \sim +70^\circ\text{C}$

#### Materials:

1. Base: POM
2. Cover: POM
3. Upper teeth: POM
4. Bottom teeth: POM
5. The needle: H62 brass band  $Y1 = 0.38\text{mm}$
6. Short Needle: H62 brass band  $Y1 = 0.38\text{mm}$
7. Contact sheet: H65 brass band  $TM = 0.3\text{mm}$



## ORDER INFORMATION

Product NO.: KLS7-KAN8-001J

