

Wire-Wound Potentionmeter Series

KLS4-3540 Wire-wound Precision Potentiometer 3540 Series

Characteristics

Electrical Characteristics

Standard Resistance Range:100Ω-100KΩ

Resistance Tolerance:±5%

Independent Linearity:±0.5%

Effective Electrical Travel:≥3600° - 10°

Terminal Resistance:≤0.2%R or 5Ω

Noise:≤3%R or 3Ω

Insulation Resistance:R1≥1GΩ

Winthstand Voltage:101.3Pa 710V,8.5kPa 470V

Enviornment Characteristics

Rated Power:+70℃ 2W, +125℃ OW

Temperature Range:-55℃~+125℃

Temperature Coefficient:±100ppm/℃

Temperature Variation:ΔR≤±2%R, Δ(Uab/Uac)≤±1%

Vibration:390m/s²,4000 cycles, ΔR≤±1%R

Collision:10—500HZ,0.75mm or 98m/s²,6h,

ΔR≤±1%R,Δ(Uab/Uac)≤±2%

Climate Category:ΔR≤±3%R, R1≥100MΩ

Electrical Endurance at 70℃:2W,1000h,ΔR≤±3%R

Mechanical Endurance:10000 cycles,ΔR≤±3%R

Steadydamp-heat:ΔR≤±3%R, R1≥100MΩ

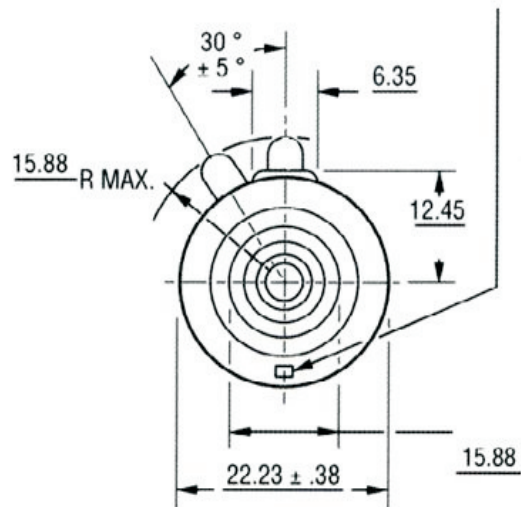
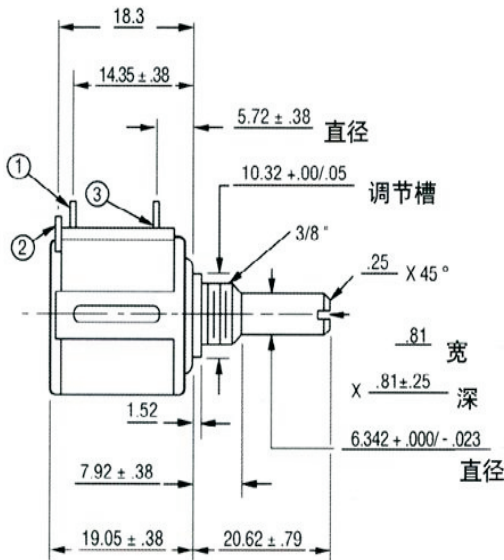
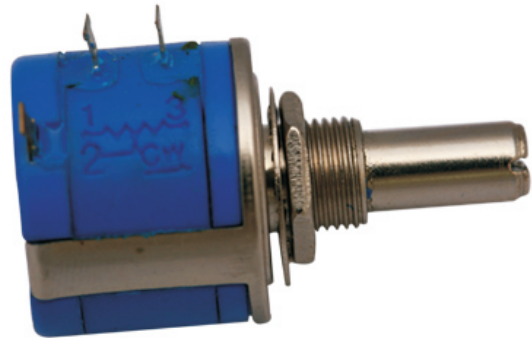
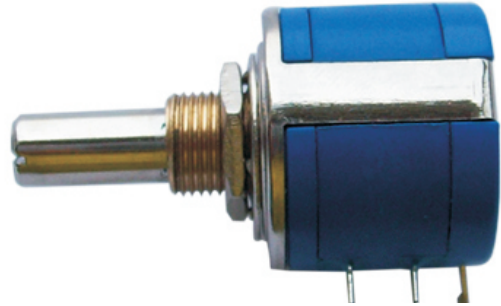
Physical Characteristics

Total Mechanical Travel:3600°±10°

Staring Torque:≤36mN·m

Clutch Torque:≥300mN·m

Standard Packaging:25 pcs/box



ORDER INFORMATION

Product No.: L-KLS4-3540S-103

Pos. No. 3540 Series 103:Resistance Code S: Style