

## Plastic level sensors

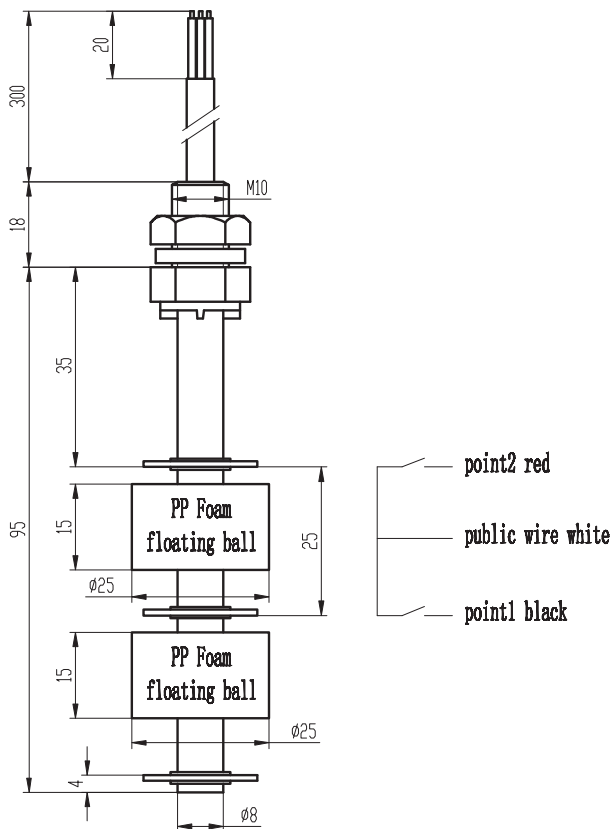
KLS26-MR1095-2P Plastic level sensor

**Material:**

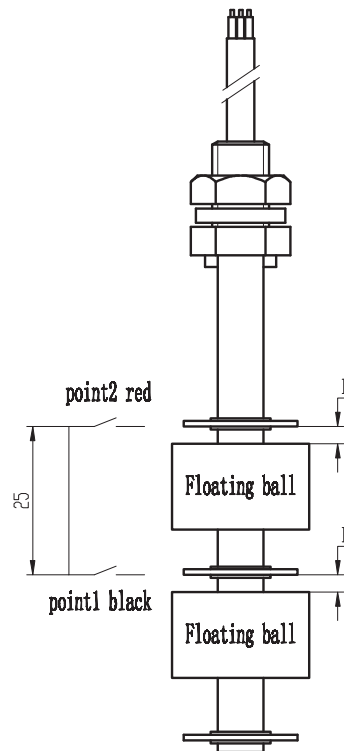
- Float ball:PP
- Float body:PP
- Cap nut:PP
- O-ring:Rubber
- E-ring:PP
- Wire:2464-3C 26# black
- Filling:epoxy glue black
- Reed switch:229

**Electrical Specification:**

- Contact rating:50W
- Max switching current:DC350/AC300
- Breakdown voltage:600 min
- Max switching voltage:DC0.7/AC0.5
- Max carry current:2.5A
- Contact resistance:100 max
- Insulation resistance:10<sup>10</sup> min
- Get an electric shock life:10<sup>7</sup>
- Applicable temperature:-10°C~+85°C



**Movement explanation**



**Movement explanation:**  
When the float up to the D position in the position between D=3±1mm, the reed switches will be closed.

## ORDER INFORMATION

Product NO.: KLS26-MR1095-2P

