

Plastic level sensors

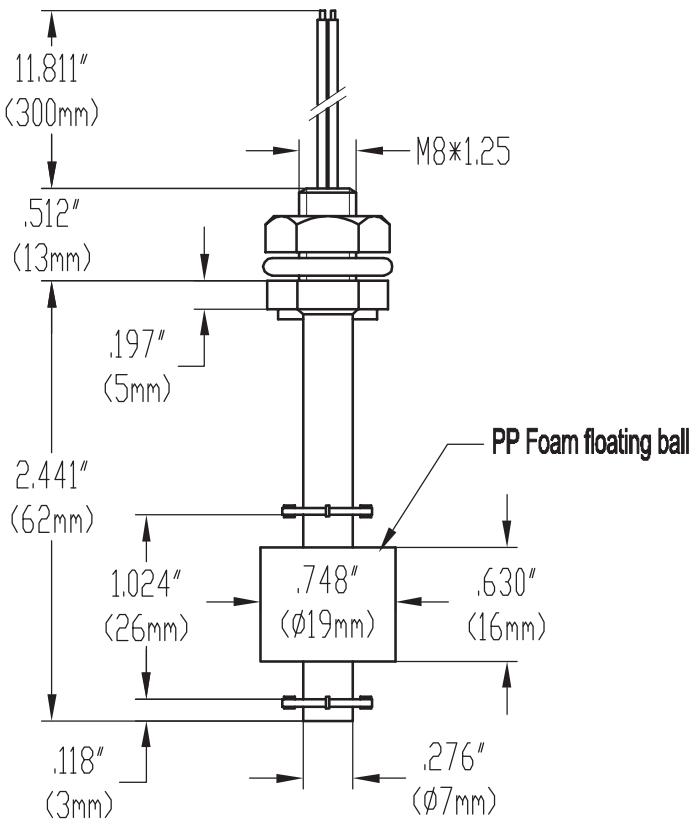
KLS26-MR0862-P Plastic level sensor

Material:

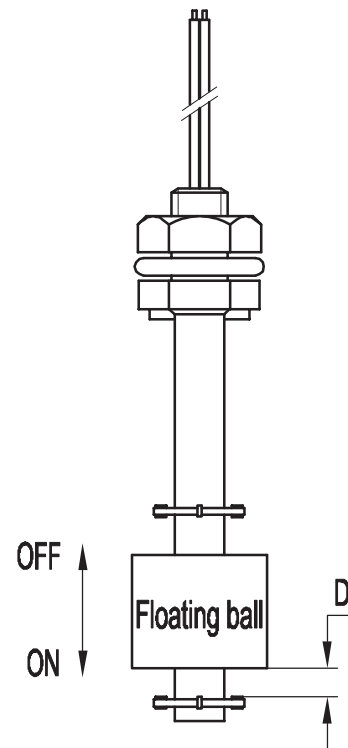
- Float ball:PP
- Float body:POM
- Cap nut:POM
- O-ring:Rubber
- E-ring:POM
- Wire:UL 1007 24# black
- Filling:epoxy glue
- Reed switch:229

Electrical Specification:

- Contact rating:50W
- Max switching current:DC350/AC300
- Breakdown voltage:600 min
- Max switching voltage:DC0.7/AC0.5
- Max carry current:2.5A
- Contact resistance:100 max
- Insulation resistance: 10^{10} min
- Get an electric shock life: 10^7
- Applicable temperature: $-10^{\circ}\text{C}\sim+85^{\circ}\text{C}$



Movement explanation



Movement explanation:
When the float up to the D position in the position between $D=3\pm 1\text{mm}$, the reed switches will be closed.

ORDER INFORMATION

Product NO.: KLS26-MR0862-P

