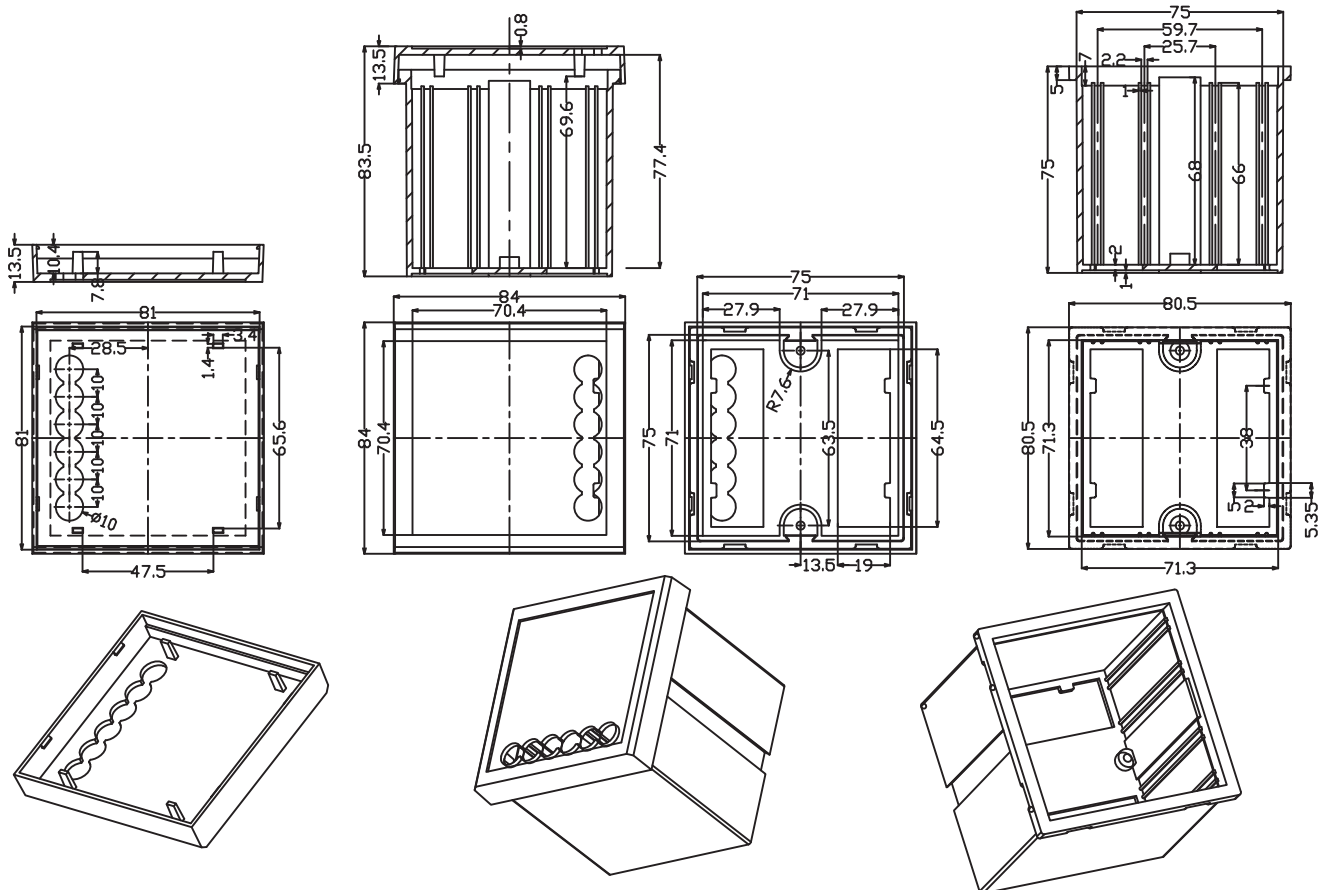
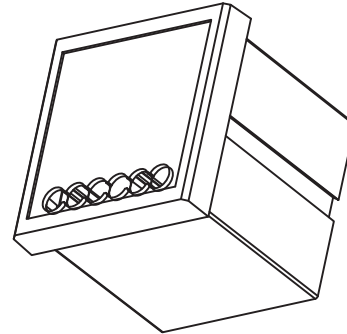


## Digital, desktop generic shell

KLS24-JG5-21 Size:83\*83\*83mm

### Product Description:

- \* Adapt to all types of multi-function three-phase power meter, digital temperature instruments, intelligent instruments mounted cabinet
- \* Dimensions: 83 \* 83 \* 83mm, the panel 80 \* 80mm, hole: 76 \* 76mm Display 71 \* 71mm, 72mm internal depth bottom
- \* Panel mounting
- \* Product Standard accessories: panel housing, two mounting brackets, two screws
- \* Transparent Cover with flame-retardant transparent PC material production, black base with a flame-retardant ABS (UL94-V0 level) material production,
- \* Color and villages bulk material can be customized
- \* This product is free to arrange LCD screen, digital control, lights and other layout, a plurality of key-hole design



## ORDER INFORMATION

Product NO.: KLS24-JG5-21

Pos. NO. \_\_\_\_\_ No. \_\_\_\_\_