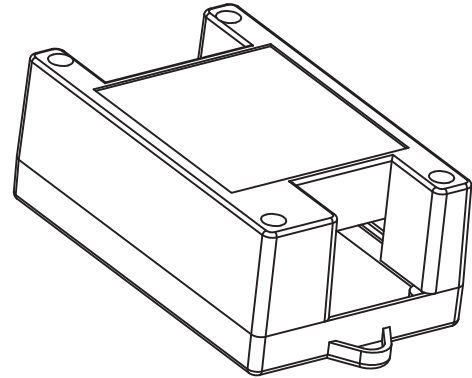


## PLC housing

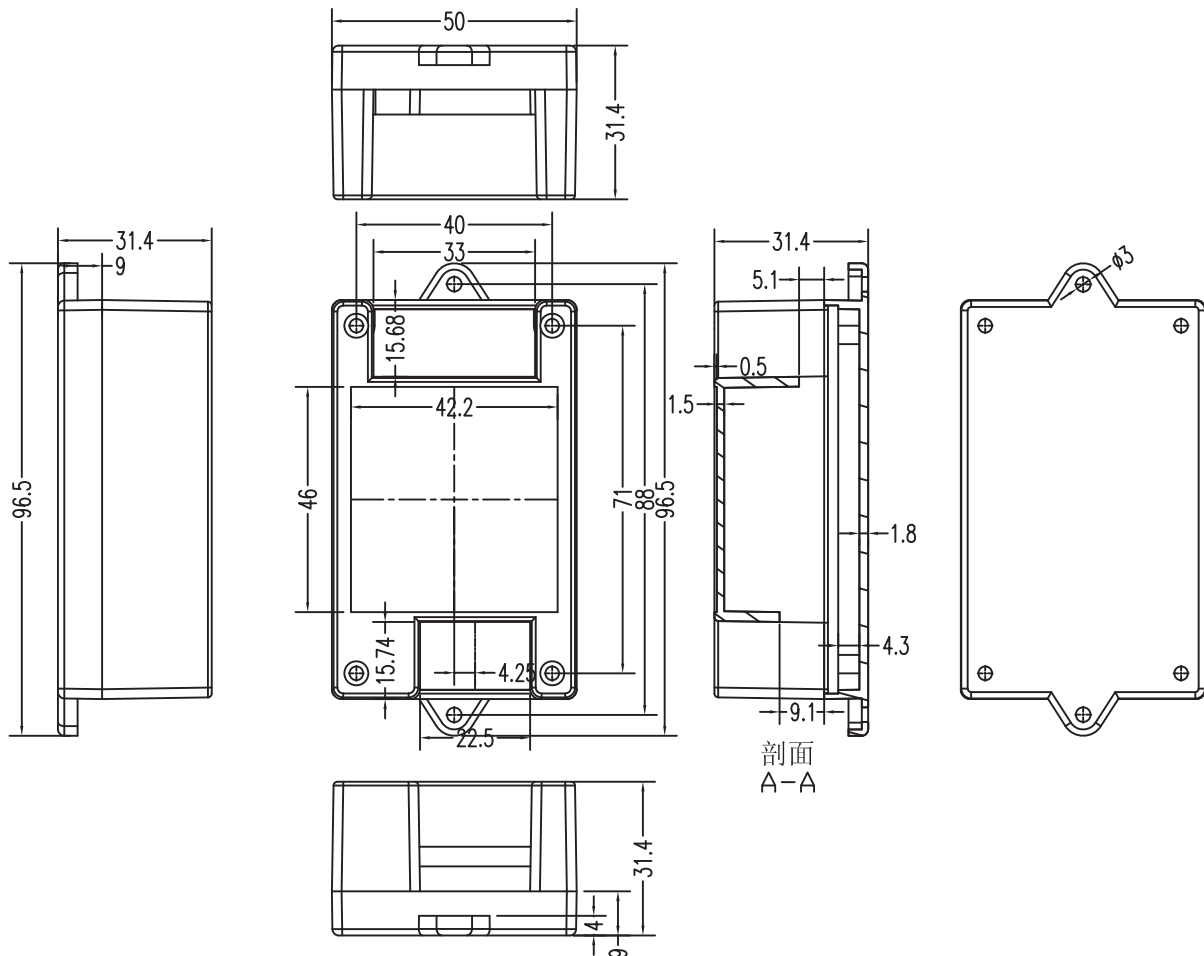
KLS24-JG3-26 120\*80\*64mm PLC housing, gray

### Product Description:

- \*Product Material: ABS
- \*Widely used in various PLC module circuit, a controller unit, with electrical module
- \*Product Standard accessories: cap, base, retainer a long cover 2
- \*Box body with the hook connection, tool-free installation
- \*Holds up two PCB
- \*Product side terminal Optional:  
Pitch terminal unilateral 19P 5.0, a total of 38P
- \*Two installation methods:  
(1) screws  
(2) fast and simple rail mounting
- \*Fully insulated protection
- \*Good heat dissipation
- \*Product color and material batch can be customized
- \*Product cover may require modification



I



## ORDER INFORMATION

Product NO.: KLS24-JG3-26

Pos. NO. \_\_\_\_\_ No. \_\_\_\_\_