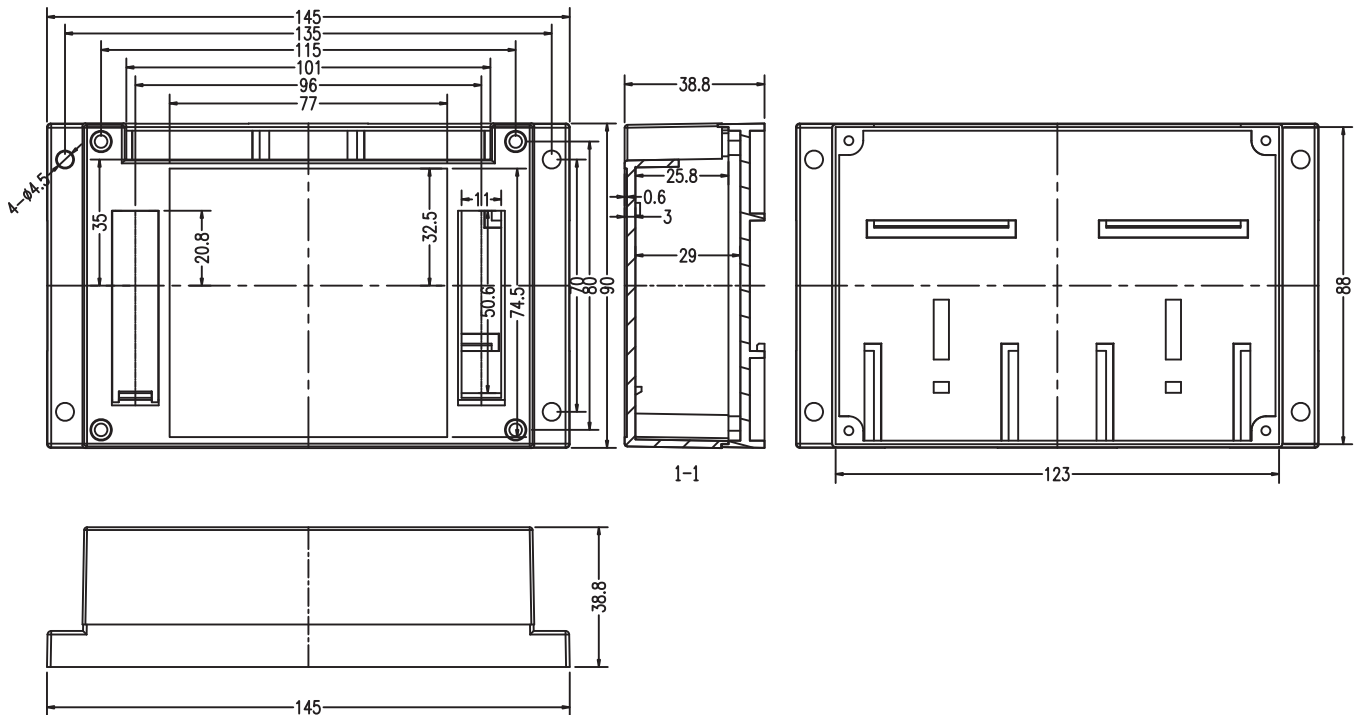
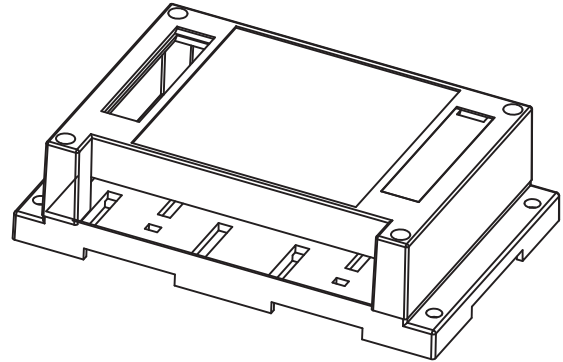


PLC housing

KLS24-JG3-12 145*90*40mm PLC housing, gray

Product Description:

- *Product Material: ABS
- *Widely used in various PLC module circuit, a controller unit, with electrical module
- *Product Standard accessories: cover, base, two retainer, four screws and two small cover
- *Product side terminal Optional:
 - (1) pitch terminal can be equipped with 20 5.0
 - (2) can be equipped with terminal pitch 13 7.62
- *Two installation methods:
 - (1) screws
 - (2) fast and simple rail mounting
- *Fully insulated protection
- *Product color and material batch can be customized
- *Product cover may require modification



ORDER INFORMATION

Product NO.: KLS24-JG3-12

Pos. NO. _____ No. _____