

Tactile Switches

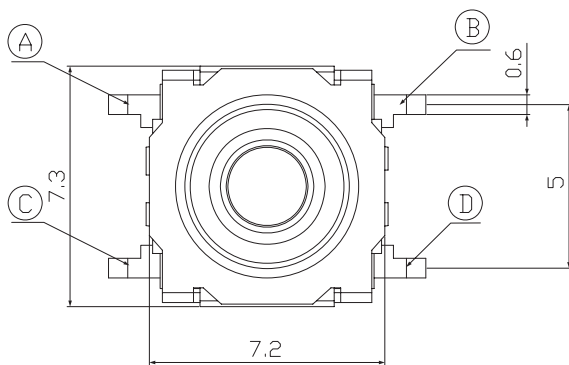
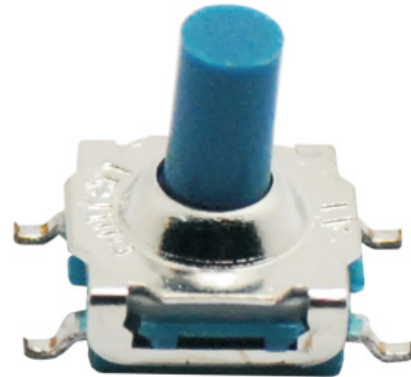
KLS7-TS7785 7x7 mm blue waterproof SMD Tact

Electrical:

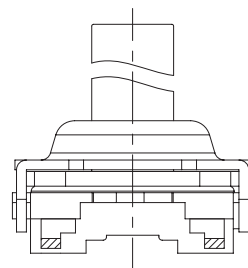
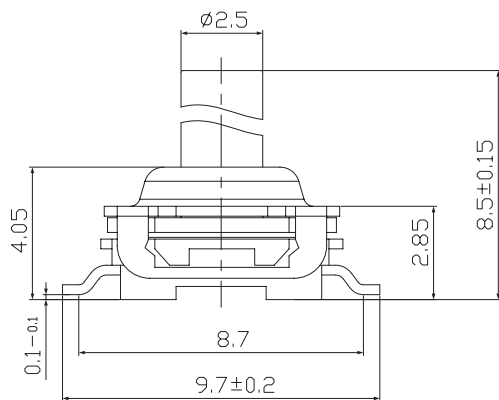
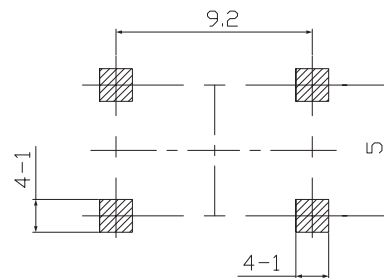
1. Rating: 50mA 12V DC
2. Travel: 0.35±0.1mm
3. Contact Resistance : 100mΩ Max
4. Electrically Life: 100000 cycles Min.
5. Operating Force: 180±50gf
6. Environment temperature: -30°C~+80°C

Materials:

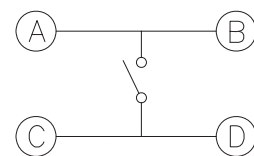
1. Insert: H62Y &=0.30, Silver
2. Base: PPA, Blue
3. Shrapnel: Stainless steel
4. Waterproof membrane: Silica gel
5. Cap: PPA, Blue
6. Tensile plate: H65M &=0.30, Copper tin



印制线路板
P. C. B layout



电路简图
SCHEMATIC



ORDER INFORMATION

Product NO.: KLS7-TS7785-8.5-180-B

