

Tactile Switches

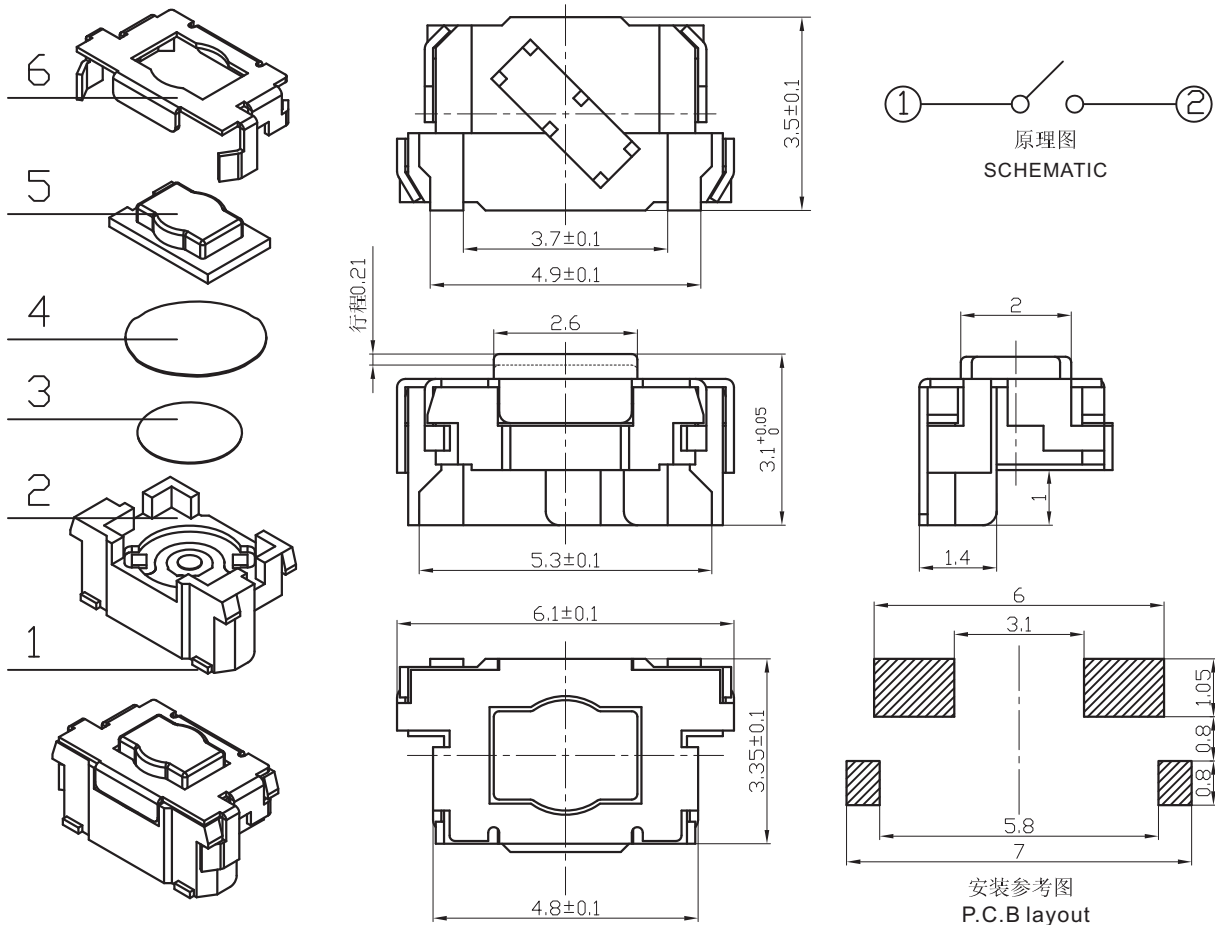
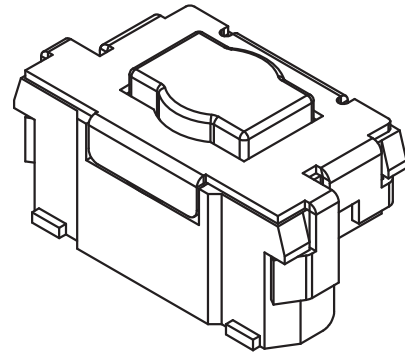
KLS7-TS3501 3x5mm Tact Switch

Electrical:

1. Rating: 50mA 12V DC
2. Contact Resistance: 100mΩ Max.
3. Insulation Resistance: 100MΩ Min, 100V DC
4. Dielectric voltage proof: 250V AC for 1min
5. Electrically Life: 30000 cycles Min.
6. Operating Force: 250±50gf
7. Environment temperature: -30°C~+70°C

Materials:

1. Cards: Phosphor, Silver
2. Pedestal: FR52, Black
3. Shrapnel: Stainless steel
4. Dust Film: 0.05
5. Push button: FR52, Black
6. Cover: Phosphor 0.15



ORDER INFORMATION

Product NO.: KLS7-TS3501-3.5-250-B

