

Tactile Switches

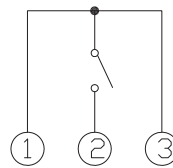
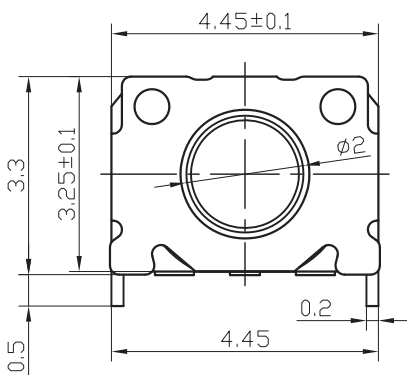
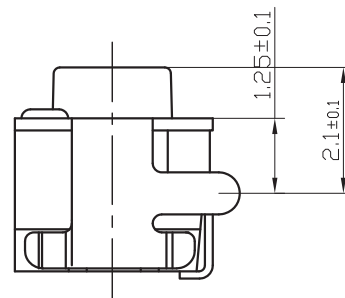
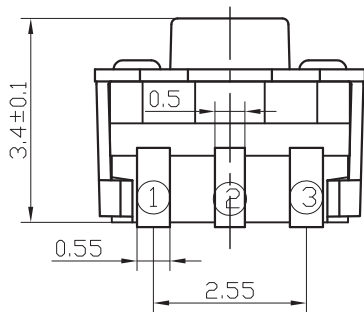
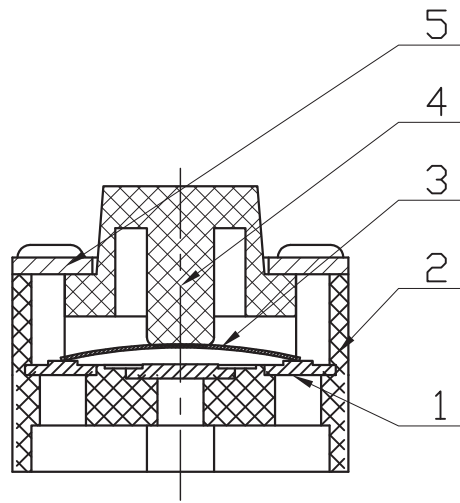
KLS7-TS3345 3.3x4.5mm Tact Switch

Electrical:

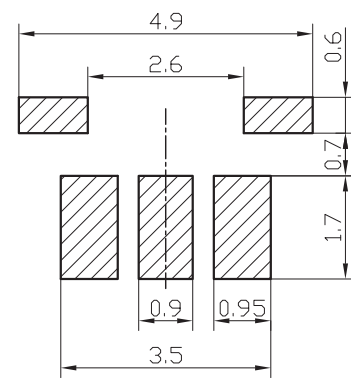
1. Rating: 50mA 12V DC
2. Contact Resistance: 100mΩ Max.
3. Insulation Resistance: 100MΩ Min, 100V DC
4. Dielectric voltage proof: 250V AC for 1min
5. Electrically Life: 100000 cycles Min.
6. Operating Force: 250±50gf
7. Environment temperature: -30°C~+80°C

Materials:

1. Cards: Phosphor 0.12, Silver plated
2. Pedestal: LCP, Black
3. Shrapnel: Stainless steel
4. Push button: LCP, White
5. Cover: Phosphor 0.12



电路图
SCHEMATIC



安装参考图
P.C.B layout

ORDER INFORMATION

Product NO.: KLS7-TS3345-3.5-250-B

Part Number

3.3x4.5mm Tact Switch

Packing: B-Bulk

Operating Force: 250(±30gf)

Height: 3.5mm