



Weight: ~281g (approx.)

Dia41.8mm*L59mm HVDC Micro Motor

Model No.:KLS23-DBM29-RS-7512H

- 1 Typical Applications:** Coffee Grinder
Hedge Trimmer
Stick Blender
Juicer/Mixer

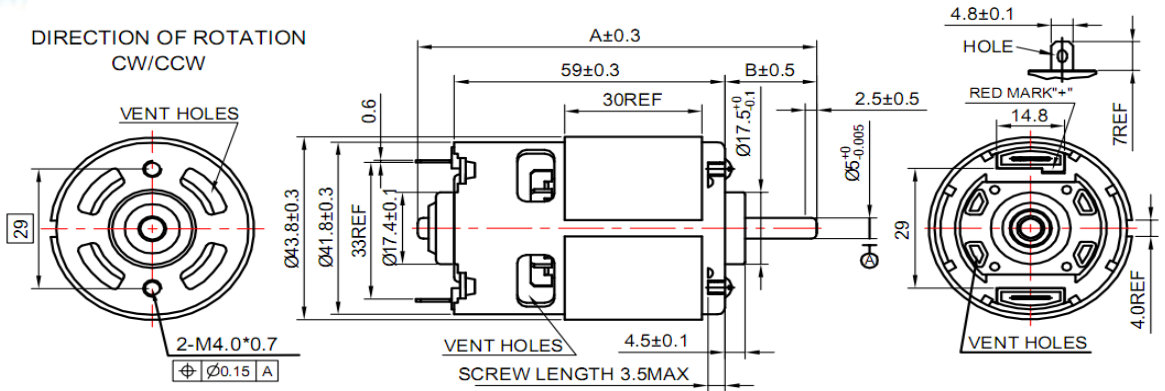
2 KEY FEATURES

- Cage Brush System
- Metal End Cap
- 12 Slots Armature,24 Bars Commutator
- Reversible
- Low Noise
- RoHS Compliant

3 DIMENSIONS(MM)

Customization:

- a.Length A, B
- b.Technical Data
- c.Flux Ring & Cooling Fan
- d.EMC/EMI Suppression
- e.Rectifier Excluded



4 TECHNICAL DATA

MODEL	VOLTAGE		NO LOAD		AT MAXIMUM EFFICIENCY					STALL			
	OPERATING	NOMINAL	SPEED	CURRENT	SPEED	CURRENT	TORQUE	OUTPUT	TORQUE	CURRENT			
	RANGE	V	r/min	A	r/min	A	mNm	g.cm	W	mNm	g.cm	A	
RS-7512SH	13162	AC Rect.	230	17700	0.12	14846	0.62	68	693.6	100.95	422	4304.4	3.2
	09266	AC Rect.	120	9100	0.06	7280	0.25	47	479.4	35.83	235	2379	1.02
	10200	AC Rect.	230	12500	0.07	10364	0.34	47	479	51.01	275	2805	1.65

Remarks

- 1. All values approximate.
- 2. Customized electric performance on request by using suitable windings.
- 3. Available with required cables and accessories after evaluation.



Weight: ~340g (approx.)

Dia41.8mm*L66mm High Voltage DC Micro Motor

Model No.:KLS23-DBM29-RS-7712H

- 1 Typical Applications:**
- Coffee Grinder
 - Hedge Trimmer
 - Hand Blender
 - Juicer/Mixer

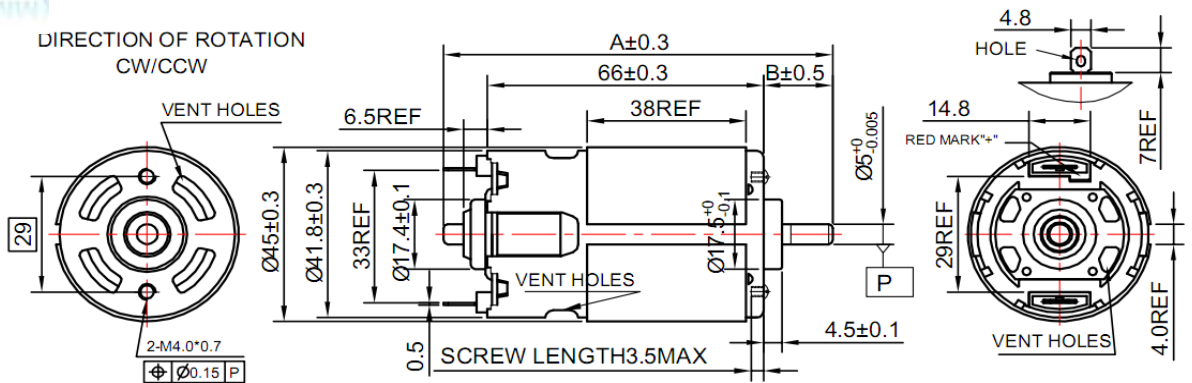
2 KEY FEATURES

- DMD Insulation
- Cage Brush System
- Metal End Cap
- 12 Slots Armature/24 Bars Commutator
- Reversible
- Low Noise
- RoHS Compliant

3 DIMENSIONS(MM)

Customization:

- a.Length A, B
- b.Technical Data
- c.Flux Ring & Cooling Fan
- d.EMC/EMI Suppression
- e. Rectifier Excluded



4 TECHNICAL DATA

MODEL	VOLTAGE		NO LOAD		AT MAXIMUM EFFICIENCY				STALL				
	OPERATING RANGE	NOMINAL V	SPEED r/min	CURRENT A	SPEED r/min	CURRENT A	TORQUE mNm	TORQUE g.cm	OUTPUT W	TORQUE mNm	TORQUE g.cm	CURRENT A	
	RS-7712SH	12182R	AC Rect.	230	8500	0.04	7471	0.3	57	581.4	42.58	471	4804
	15124R	AC Rect.	230	14500	0.08	12676	0.55	74	754.8	93.8	588	6000	3.8
	12166R	AC Rect.	230	9450	0.06	8165	0.39	70	714	59.85	515	525.3	2.49
	12190	AC Rect.	240	12200	0.06	10458	0.36	56	571.2	58.56	392	4000	2.15

Remarks

1. All values approximate.
2. Customized electric performance on request by using suitable windings.
3. Available with required cables and accessories after evaluation.



Weight:~372g (approx.)

Dia41.8mm*L75mm High Voltage DC Micro Motor Model No.:KLS23-DBM29-RS-7912H

- 1 Typical Applications:** Coffee Machine
Power Tool
Stick Blender
Juicer/Mixer

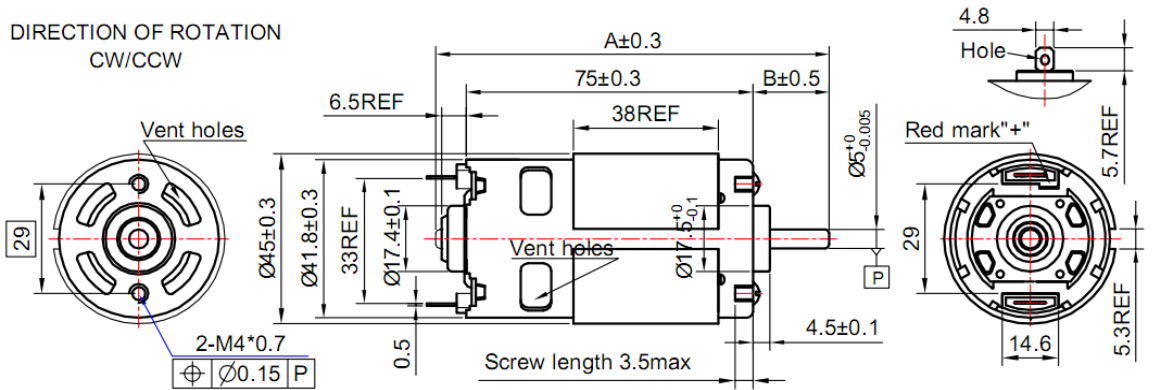
2 KEY FEATURES

- DMD Insulation
- Cage Brush System
- Metal End Cap
- 12 Slots Armature/ 24 Bars Commutator
- Reversible
- Low Noise
- RoHS Compliant

3 DIMENSIONS(MM)

Customization:

- a.Length A, B
- b.Technical Data
- c.Flux Ring & Cooling Fan
- d.EMC/EMI Suppression
- e. Rectifier Excluded



4 TECHNICAL DATA

MODEL	VOLTAGE		NO LOAD		AT MAXIMUM EFFICIENCY				STALL				
	OPERATING RANGE	NOMINAL V	SPEED r/min	CURRENT A	SPEED r/min	CURRENT A	TORQUE mNm	OUTPUT g.cm	TORQUE mNm	CURRENT g.cm	CURRENT A		
RS-7912SH	15102R	AC Rect.	220	15000	0.07	13341	0.57	72	734.4	96.06	651	6640	4.6
	09290	AC Rect.	230	5500	0.03	4612	0.15	46	469.2	22.22	285	2907	0.78

Remarks

1. All values approximate.
2. Customized electric performance on request by using suitable windings.
3. Available with required cables and accessories after evaluation.