



Weight: ~165g (approx.)

Dia35.8mm*L50mm High Voltage DC Micro Motor Model No.:KLS23-DBM28-RS-5412/5416A

1 Typical Applications:

- Power Brush
- Coffee Machine
- Meat Grinder
- Hair Clipper

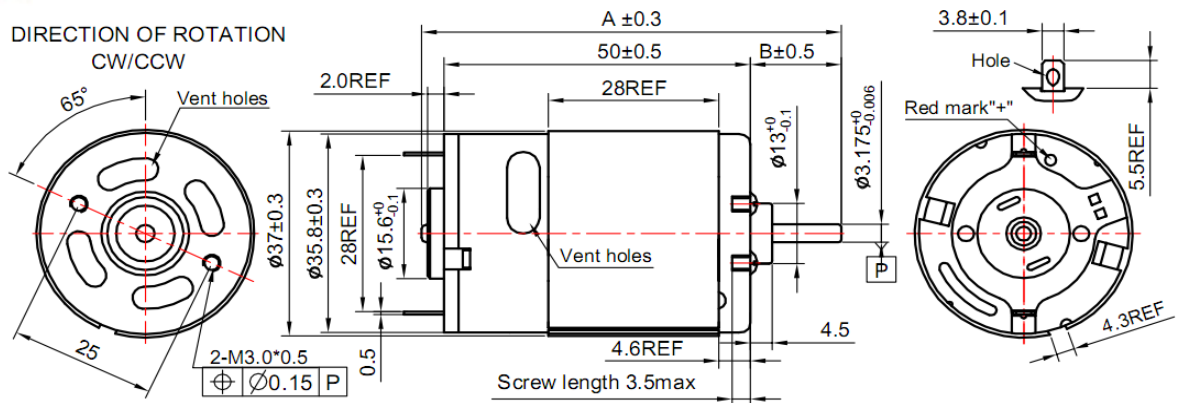
2 KEY FEATURES

- DMD Insulation
- Cage Brush System
- Metal End Cap
- 8/12 Slots Armature,16/24 Bars Commutator
- Reversible
- Low Noise
- RoHS Compliant

3 DIMENSIONS(MM)

Customization:

- Length A, B
- Technical Data
- Flux Ring & Cooling Fan
- EMC/EMI Suppression
- Rectifier Excluded



4 TECHNICAL DATA

MODEL		VOLTAGE		NO LOAD		AT MAXIMUM EFFICIENCY				STALL			
		OPERATING	NOMINAL	SPEED	CURRENT	SPEED	CURRENT	TORQUE	OUTPUT	TORQUE	CURRENT		
		RANGE	V	r/min	A	r/min	A	mNm	g.cm	mNm	g.cm	A	
RS-5412PA	09190R	AC Rect.	100	8358	0.06	5865	0.22	20.4	208.1	11.89	92.14	939.8	0.82
	08256	AC Rect.	110	6600	0.02	5590	0.1	12	122.4	7.02	78.45	800.2	0.54
	11160R	AC Rect.	100	8530	0.08	6380	0.26	21.6	220.3	16	90.2	920	1
RS-5416PA	11210	AC Rect.	110	12100	0.05	10313	0.29	21	214.2	21.66	142	1448.4	1.7

Remarks

- All values approximate.
- Customized electric performance on request by using suitable windings.
- Available with required cables and accessories after evaluation.



Weight: ~215g (approx.)

Dia35.8mm*L57mm High Voltage DC Micro Motor Model No.:KLS23-DBM28-RS-5512/5516A

- 1 Typical Applications:**
- Sewing Machine
 - Coffee Machine
 - Mixer
 - Hair Clipper

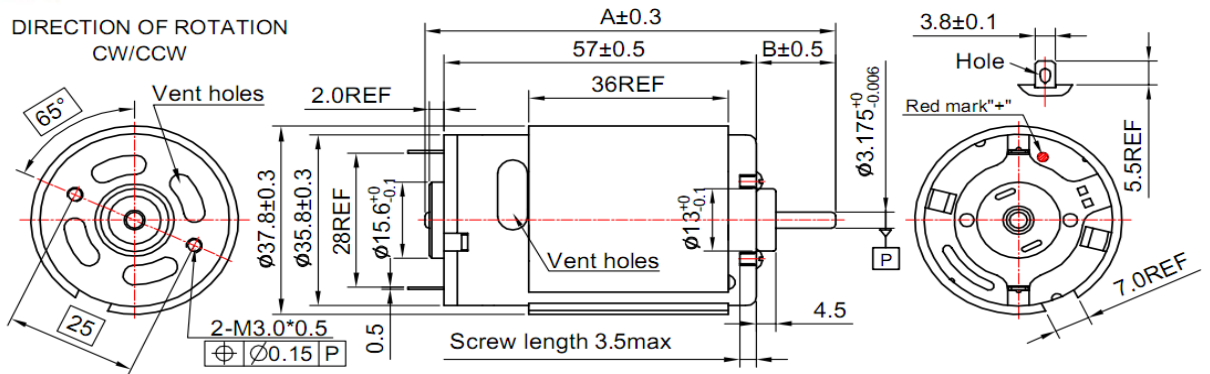
2 KEY FEATURES

- DMD Insulation
- Cage Brush System
- Plastic End Cap
- 8/12 Slots Armature,16/24 Bars Commutator
- Reversible
- Low Noise
- RoHS Compliant

3 DIMENSIONS(MM)

Customization:

- a.Length A, B
- b.Technical Data
- c.Flux Ring & Cooling Fan
- d.EMC/EMI Suppression
- e.Rectifier Excluded



4 TECHNICAL DATA

MODEL		VOLTAGE		NO LOAD		AT MAXIMUM EFFICIENCY				STALL			
		OPERATING	NOMINAL	SPEED	CURRENT	SPEED	CURRENT	TORQUE	OUTPUT	TORQUE	CURRENT		
		RANGE	V	r/min	A	r/min	A	mNm	g.cm	W	mNm	g.cm	A
RS-5512PA	09190R	AC Rect.	220	16956	0.07	13213	0.27	32.28	329.3	42.74	187.2	1910	1.28
	1674R	AC Rect.	100	19844	0.19	15826	0.72	30.73	313.4	48.96	241.1	2459	4.58
	10180R	AC Rect.	220	15834	0.07	12710	0.28	33.43	341	42.79	223.6	2280	1.56
RS-5516PA	09310	AC Rect.	230	11500	0.04	9735	0.23	33	336.6	33.64	215	2193	1.29

Remarks

- All values approximate.
- Customized electric performance on request by using suitable windings.
- Available with required cables and accessories after evaluation.



Weight: ~221g (approx.)

Dia35.8mm*L60mm High Voltage DC Micro Motor

Model No.:KLS23-DBM28-RS-5612/5616A

1 Typical Applications:

- Power Brush
- Coffee Machine
- Mixer/Blender
- Hair Clipper

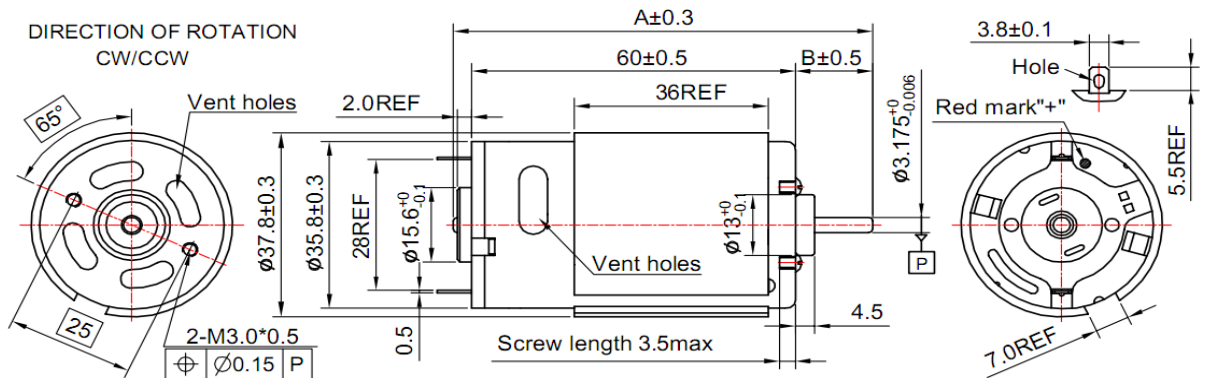
2 KEY FEATURES

- Cage Brush System
- Plastic End Cap
- 8/12 Slots Armature,16/24 Bars Commutator
- Reversible
- Low Noise
- RoHS Compliant

3 DIMENSIONS(MM)

Customization:

- a.Length A, B
- b.Technical Data
- c.Flux Ring & Cooling Fan
- d.EMC/EMI Suppression
- e.Rectifier Excluded



4 TECHNICAL DATA

MODEL	VOLTAGE		NO LOAD		AT MAXIMUM EFFICIENCY				STALL				
	OPERATING RANGE	NOMINAL V	SPEED r/min	CURRENT A	SPEED r/min	CURRENT A	TORQUE mNm	OUTPUT W	TORQUE mNm	CURRENT A			
							g.cm		g.cm				
RS-5616SA	09254	AC Rect.	230	18000	0.09	14440	0.35	38.76	395.4	58.65	196	2000	1.4

Remarks

1. All values approximate.
2. Customized electric performance on request by using suitable windings.
3. Available with required cables and accessories after evaluation.



Weight: ~240g (approx.)

Dia35.8mm*L67mm High Voltage DC Micro Motor

Model No.:KLS23-DBM28-RS-5912/5916A

- 1 Typical Applications:**
- Coffee Machine
 - Power Brush
 - Hand Blender
 - Hair Clipper

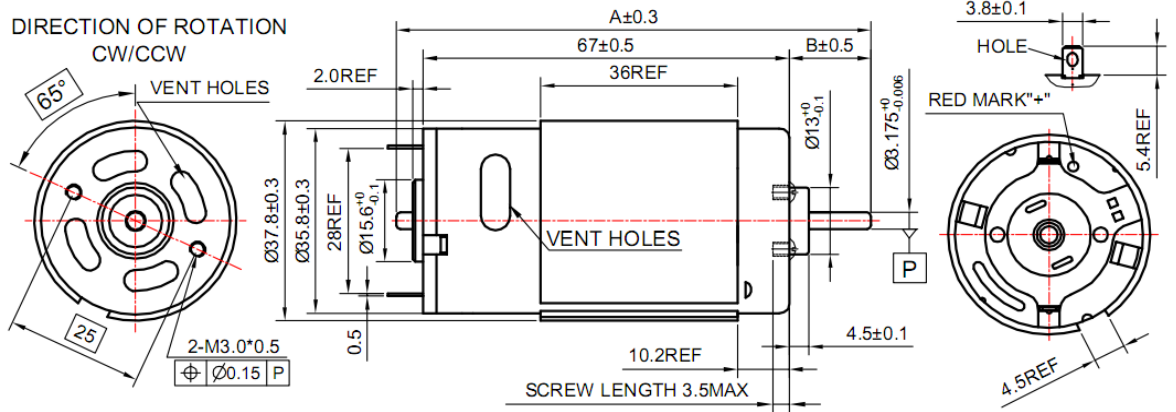
2 KEY FEATURES

- Cage Brush System
- Plastic End Cap
- 8/12 Slots Armature,16/24 Bars Commutator
- Reversible
- Low Noise
- RoHS Compliant

3 DIMENSIONS(MM)

Customization:

- a.Length A, B
- b.Technical Data
- c.Flux Ring & Cooling Fan
- d.EMC/EMI Suppression
- e.Rectifier Excluded



4 TECHNICAL DATA

MODEL	VOLTAGE		NO LOAD		AT MAXIMUM EFFICIENCY					STALL			
	OPERATING RANGE	NOMINAL V	SPEED r/min	CURRENT A	SPEED r/min	CURRENT A	TORQUE mNm	OUTPUT g.cm	W	TORQUE mNm	g.cm	CURRENT A	
	RS-5912PA	08276R	AC Rect.	230	8289	0.04	6636	0.11	23.1	235.6	15.43	160.5	1637.1
RS-5916SA	15118R	AC Rect.	120	12800	0.1	11118	0.66	49	499.8	57.05	373	3804.6	4.32

Remarks

1. All values approximate.
2. Customized electric performance on request by using suitable windings.
3. Available with required cables and accessories after evaluation.