



Weight: 167g (approx.)

## D35.8mm\*L50mm DC Motor

Model No.:KLS23-DBM22-RS-540/545A

- 1 Typical Applications:**
- Headrest Adjuster
  - Vacuum Cleaner
  - Bilge Pump
  - RC Model/Toy

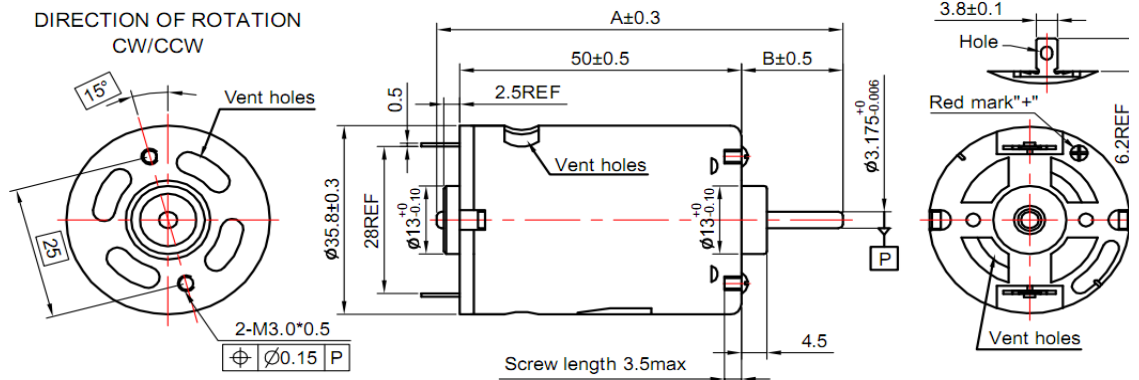
**2 KEY FEATURES**

- Plastic End Cap
- Class F Magnet Wire
- Leaf Brush System
- Carbon Steel Shaft

**3 DIMENSIONS(MM)**

**Customization:**

- a.Length A, B
- b.Technical Data
- c.Flux Ring & Cooling Fan
- d.EMC/EMI Suppression



**4 TECHNICAL DATA**

MODEL		VOLTAGE		NO LOAD		AT MAXIMUM EFFICIENCY				STALL			
		OPERATING RANGE	NOMINAL V	SPEED r/min	CURRENT A	SPEED r/min	CURRENT A	TORQUE mNm	TORQUE g.cm	OUTPUT W	TORQUE mNm	TORQUE g.cm	CURRENT A
RS-540SA	4552	6.0-12.0	12	13500	0.62	11633	3.09	22.71	231.6	28.32	184.3	1880	25.49
RS-540PA	23198	6.0-12.0	12	3500	0.12	2898	0.58	14.87	151.7	4.51	86.5	882.3	2.79
RS-545SA	3153	6.0-12.0	12	8000	0.28	6732	1.49	16.5	167.9	11.61	103.9	1060	7.9
	21116	6.0-24.0	24	6600	0.12	5761	0.57	17.7	180.6	10.52	132.3	1350	4.13

**Remarks**

1. All values approximate.
2. Customized electric performance on request by using suitable windings.
3. Available with required cables and accessories after evaluation.



Weight: 210g (approx.)

## D35.8mm\*L57mm DC Motor

Model No.:KLS23-DBM22-RS-550/555A

### 1 Typical Applications:

- Cordless Power Tool
- EPB/Air Pump/Door Closer
- Bilge Pump
- RC Model

### 2 KEY FEATURES

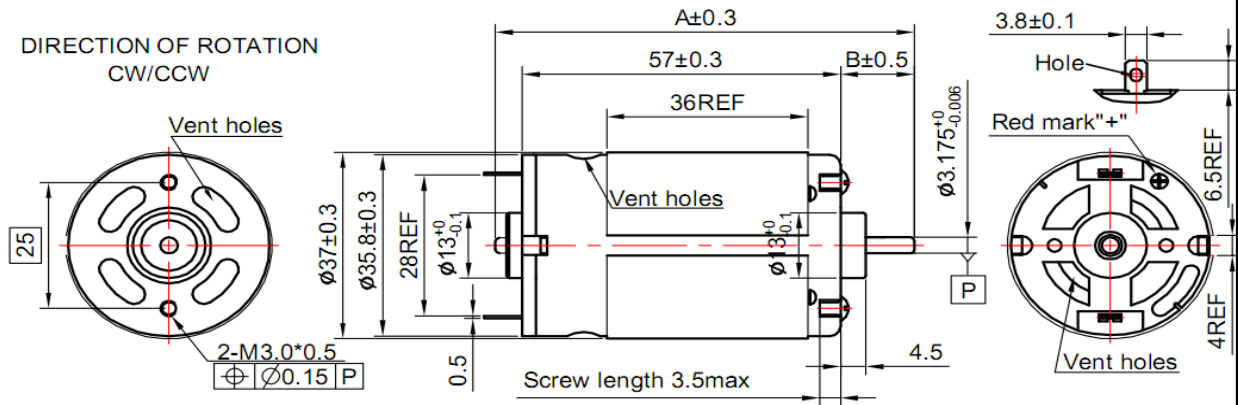
- Plastic End Cap
- Class F Magnet Wire

- Leaf Brush System
- Carbon Steel Shaft

### 3 DIMENSIONS(MM)

#### Customization:

- Length A, B
- Technical Data
- Flux Ring & Cooling Fan
- EMC/EMI Suppression



### 4 TECHNICAL DATA

MODEL		VOLTAGE		NO LOAD		AT MAXIMUM EFFICIENCY				STALL			
		OPERATING RANGE	NOMINAL V	SPEED r/min	CURRENT A	SPEED r/min	CURRENT A	TORQUE mNm	TORQUE g.cm	OUTPUT W	TORQUE mNm	TORQUE g.cm	CURRENT A
RS-550SA	23128R	6.0-24.0	24	4500	0.1	3932	0.39	25.7	262	10.6	204	2080	4.8
	6034	6.0-12.0	12	16000	1.12	13613	4.96	25.6	261.3	40.36	281.4	2870	48.89
RS-555SA	3540	6.0-12.0	12	7800	0.3	6708	1.84	21.9	223.4	15.35	156	1591.2	11.31
	23100	6.0-24.0	24	7000	0.14	6004	0.77	19.2	195.84	12.09	124.5	1270	4.2

#### Remarks

- All values approximate.
- Customized electric performance on request by using suitable windings.
- Available with required cables and accessories after evaluation.



Weight: ~220g (approx.)

**Dia35.8mm\*L60mm DC Micro Motor**

**Model No.:KLS23-DBM22-RS-560A**

**1 Typical Applications:**

- Cordless Power Tool
- EPB/Air Pump/Door Closer
- Ride-on Car
- RC Model

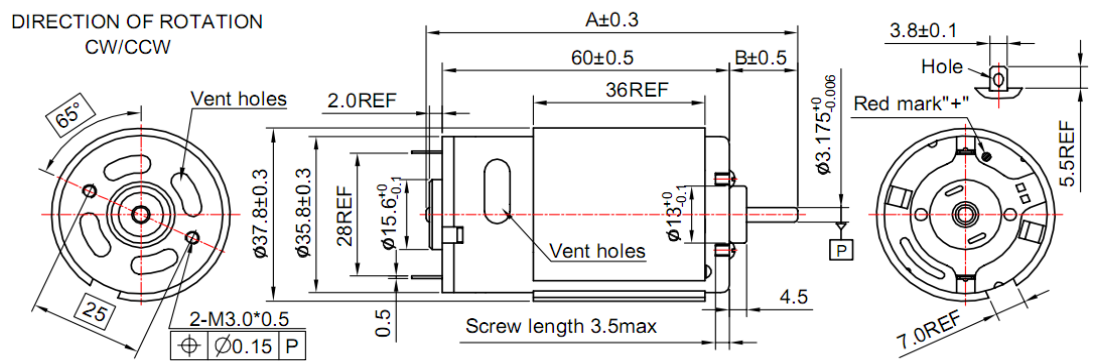
**2 KEY FEATURES**

- Plastic End Cap
- Class F Magnet Wire
- Leaf Brush System
- Carbon Steel Shaft
- Reversible
- Low Noise
- RoHS Compliant

**3 DIMENSIONS(MM)**

**Customization:**

- a.Length A, B
- b.Technical Data
- c.Flux Ring & Cooling Fan
- d.EMC/EMI Suppression



**4 TECHNICAL DATA**

MODEL	VOLTAGE		NO LOAD		AT MAXIMUM EFFICIENCY					STALL			
	OPERATING RANGE	NOMINAL V	SPEED r/min	CURRENT A	SPEED r/min	CURRENT A	TORQUE		OUTPUT W	TORQUE		CURRENT A	
							mNm	g.cm		mNm	g.cm		
RS-560PA	22235R	6.0-24.0	12	1700	0.07	1416	0.35	18.04	184	2.68	108	1102	1.74
	3783R	6.0-12.0	6	2450	0.19	2051	0.98	17.94	183	3.85	110	1122	5.01

**Remarks**

- 1. All values approximate.
- 2. Customized electric performance on request by using suitable windings.
- 3. Available with required cables and accessories after evaluation.