



重量: ~180g

直径35.8mm\*长度53mm 低压直流扁形电机

Model No.:KLS23-DBM21-FS-540/545H

1 典型应用

无线电动工具  
窗户升降器  
水泵

2 产品特点

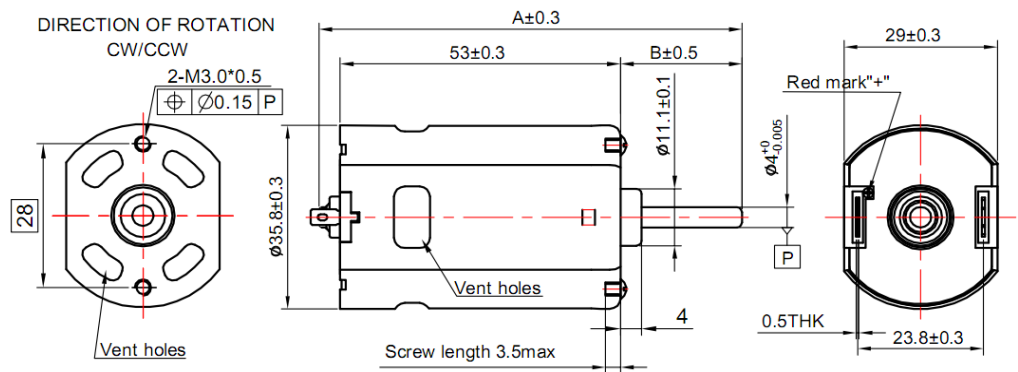
-金属后盖  
-F级漆包线

-叶刷  
-碳钢轴

3 外形尺寸(mm)

可定制:

- a. A、B 长度
- b. 技术参数
- c. 护磁圈/冷却风扇
- d. EMC/EMI 元器件



4 技术参数

型号	电压		空载		最大效率					堵转			
	操作范围	额定	转速	电流	转速	电流	扭矩		功率	扭矩		电流	
	V	V	r/min	A	r/min	A	mNm	g.cm	W	mNm	g.cm	A	
FS-540SH	4753R	3.0-9.0	6.4	6200	0.69	5160	2.19	18.8	192	9.71	93.1	950	13.7
FS-545SH	2586	6.0-12.0	12	4700	0.26	3670	0.93	15.3	156.06	5.86	69.6	710.2	3.3
	21115	6.0-12.0	12	3800	0.12	2700	0.42	9.8	100	2.8	32.3	330	1.2

单位换算: 1kg.cm=103gf.cm=9.8N.cm=9.8\*10<sup>-2</sup> N.m=13.89oz.in=0.868Lb.in=0.07233Lb.ft

备注:

1. 以上参数仅供参考。
2. 电气性能如电压、转速、扭矩等可评估后通过更改电机绕线定制。
3. 可根据实际情况提供电机相关配件,如引线、连接器、蜗杆、齿轮等等。



Weight: 230g (approx.)

## D35.8mm\*L63mm DC Motor

Model No.:KLS23-DBM21-FS-550/555H

### 1 Typical Applications:

- Cordless Power Tool
- Window Lifter
- Air Pump

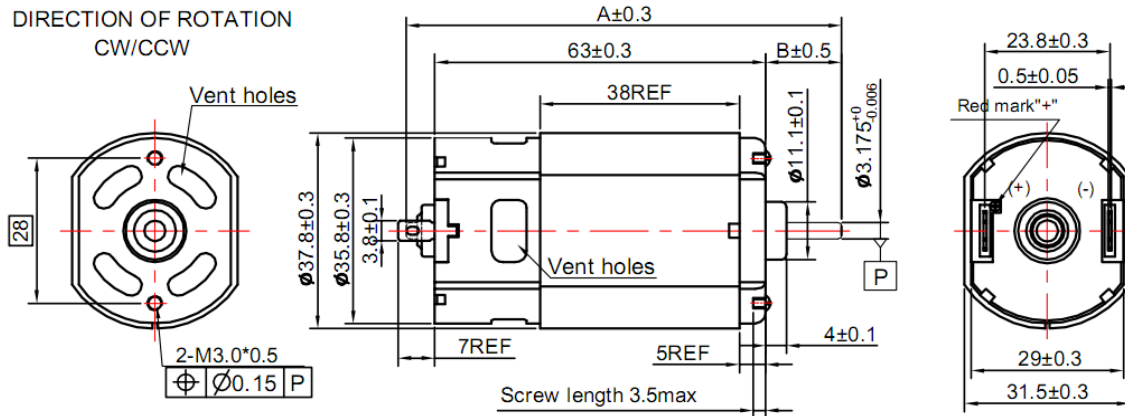
### 2 KEY FEATURES

- Metal End Cap
- Class F Magnet Wire
- Leaf Brush System
- Carbon Steel Shaft

### 3 DIMENSIONS(MM)

#### Customization:

- a.Length A, B
- b.Technical Data
- c.Flux Ring&Cooling Fan
- d.EMC/EMI Suppression



### 4 TECHNICAL DATA

MODEL	VOLTAGE		NO LOAD		AT MAXIMUM EFFICIENCY					STALL			
	OPERATING RANGE	NOMINAL V	SPEED r/min	CURRENT A	SPEED r/min	CURRENT A	TORQUE		OUTPUT W	TORQUE		CURRENT A	
							mNm	g.cm		mNm	g.cm		
FS-555SH	3349	6.0-18.0	12	6000	0.1	5044	0.85	15	153	7.92	94.11765	960	4.5
	3154R	4.0-12.0	6	2700	0.18	2074	0.6	9.313725	95	2.02	40.19608	410	2
	2764R	6.0-18.0	12	3780	0.13	2570	0.78	19.60784	200	5.27	61.07843	623	2.16

#### Remarks

1. All values approximate.
2. Customized electric performance on request by using suitable windings.
3. Available with required cables and accessories after evaluation.



Weight ~230g (approx.)

## Dia35.8mm\*L63mm\*H31.5mm HVDC Motor Model No.:KLS23-DBM21-FS-5516H

- 1 Typical Applications:**
- Rotary Tool
  - Power Brush
  - Mixer
  - Hair Clipper

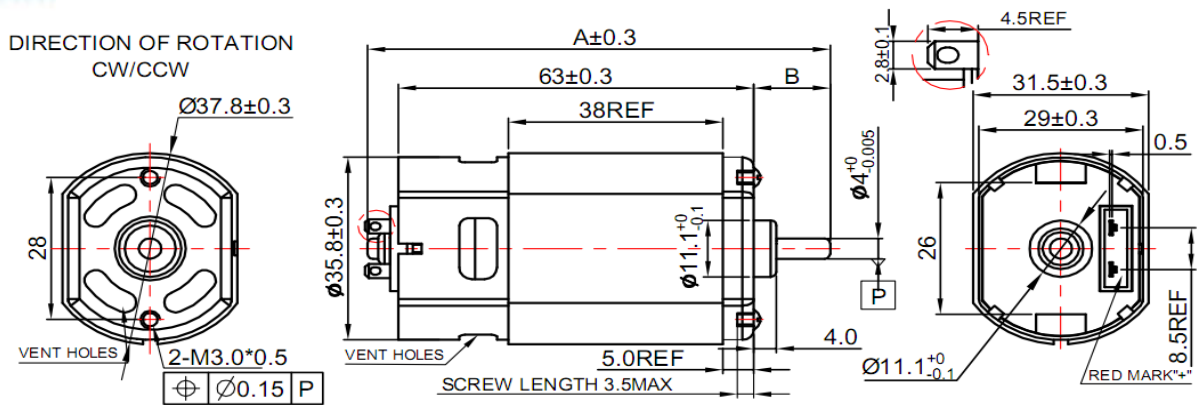
**2 KEY FEATURES**

- DMD Insulation
- Cage Brush System
- Metal End Cap
- 12 Slots Armature,24 Bars Commutator
- Reversible
- Low Noise
- RoHS Compliant

**3 DIMENSIONS(MM)**

**Customization:**

- a.Length A, B
- b.Technical Data
- c.Flux Ring & Cooling Fan
- d.EMC/EMI Suppression
- e.Rectifier Excluded



**4 TECHNICAL DATA**

MODEL	VOLTAGE		NO LOAD		AT MAXIMUM EFFICIENCY				STALL				
	OPERATING RANGE	NOMINAL V	SPEED r/min	CURRENT A	SPEED r/min	CURRENT A	TORQUE mNm	OUTPUT g.cm	TORQUE mNm	CURRENT g.cm	A		
FS-5516SH	08364R	AC Rect.	230	11200	0.12	7297	0.39	45.33	462.4	33.88	123.2	1257	0.98
	08400R	AC Rect.	220	10100	0.06	6628	0.28	37.52	382.7	25.33	91.93	938	0.66

**Remarks**

1. All values approximate.
2. Customized electric performance on request by using suitable windings.
3. Available with required cables and accessories after evaluation.