



Weight: 30g (approx.)

D24mm*L27.5mm DC Motor Type
Model No.:KLS23-DBM12-FK-260A

1 Typical Applications: Door Lock Actuator
Rearview Mirror
Electric Shaver
Scanner

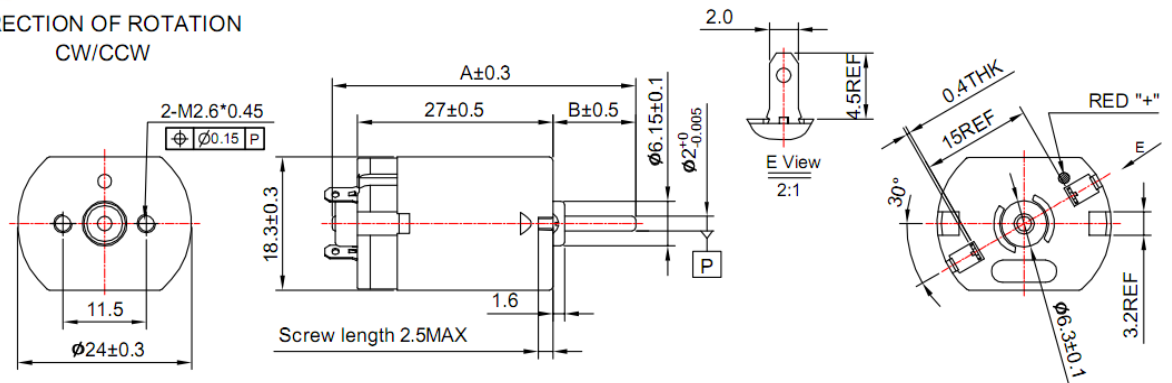
2 KEY FEATURES

- Plastic End Cap
- Oil-impregnated Bearing
- Leaf Brush System
- Carbon Steel Shaft

3 DIMENSIONS(MM)

Customization:
a.Length A, B
b.Technical Data
c.Varistor for option

DIRECTION OF ROTATION
CW/CCW



4 TECHNICAL DATA

MODEL	VOLTAGE		NO LOAD		AT MAXIMUM EFFICIENCY				STALL				
	OPERATING	NOMINAL	SPEED	CURRENT	SPEED	CURRENT	TORQUE	OUTPUT	TORQUE	CURRENT			
	RANGE	V	r/min	A	r/min	A	mNm	g.cm	W	mNm	g.cm	A	
FK-260SA	18120	3.0-6.0	6	10400	0.15	8486	0.6	2.48	25.3	2.24	14.4	147	2.94
	10280	6.0-12.0	12	8600	0.05	7300	0.17	1.47	15	1.12	9.7	99	0.84
	10300	6.0-24.0	24	17300	0.07	14100	0.31	2.84	29	4.19	15.5	158	1.38

Remarks

1. All values approximate.
2. Customized electric performance on request by using suitable windings.
3. Available with required cables and accessories after evaluation.



Weight: 38g (approx.)

D24mm*L30.5mm DC Motor

Model No.:KLS23-DBM12-FK-280A

- 1 Typical Applications:**
- Retractable Rearview Mirror
 - Door Lock Actuator
 - Hair Remover
 - Vending Machine

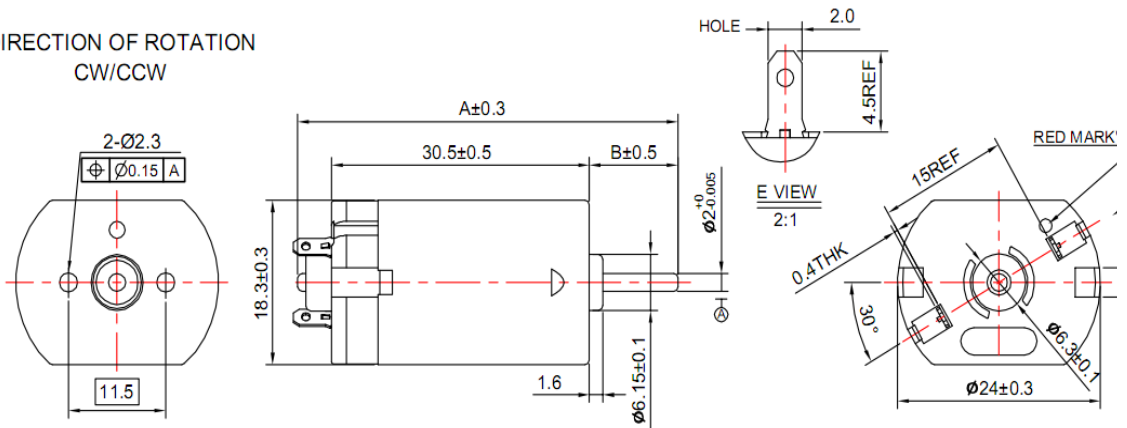
2 KEY FEATURES

- Plastic End Cap
- Oil-impregnated Bearing
- Leaf Brush System
- Carbon Steel Shaft

3 DIMENSIONS(MM)

- Customization:**
- a.Length A, B
 - b.Technical Data
 - c.Varistor for option

DIRECTION OF ROTATION
CW/CCW



4 TECHNICAL DATA

MODEL		VOLTAGE		NO LOAD		AT MAXIMUM EFFICIENCY				STALL			
		OPERATING RANGE	NOMINAL V	SPEED r/min	CURRENT A	SPEED r/min	CURRENT A	TORQUE mNm	OUTPUT g.cm	TORQUE mNm	g.cm	CURRENT A	
FK-280SA	4525	1.0-2.0	1.2	8670	0.73	6560	2.24	1.74	17.7	1.3	9.61	98	8.43
	16245	6.0-12.0	12	7300	0.06	6027	0.29	3.4	34.6	2.15	19.5	198	1.35

Remarks

1. All values approximate.
2. Customized electric performance on request by using suitable windings.
3. Available with required cables, eccentric wheel and accessories after evaluation.



Weight: 50g (approx.)

D24mm*L36mm DC Motor

Model No.:KLS23-DBM12-FK-290A

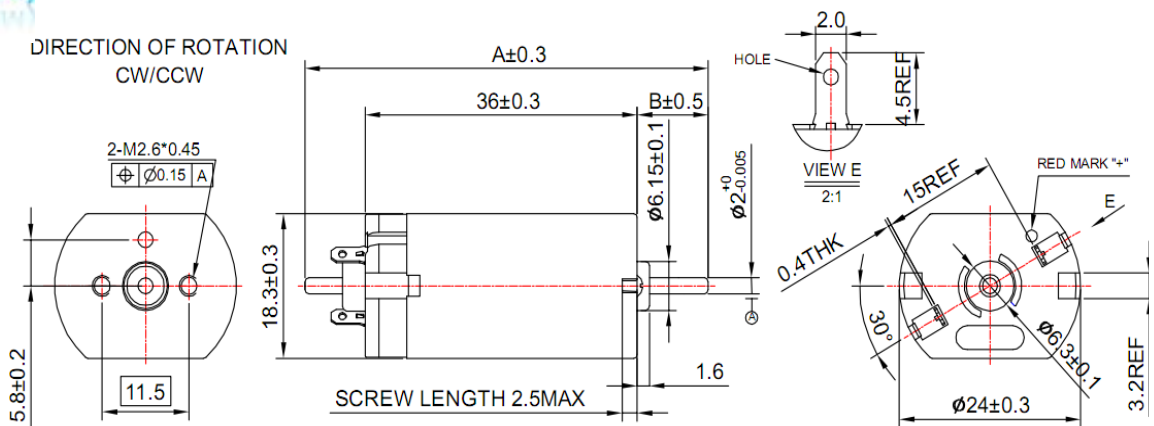
- 1 Typical Applications:**
- Hair Curler
 - Hair Remover
 - Vending Machine
 - RC Model

2 KEY FEATURES

- Plastic End Cap
- Oil-impregnated Bearing
- Leaf Brush System
- Carbon Steel Shaft

3 DIMENSIONS(MM)

- Customization:**
- a.Length A, B
 - b.Technical Data
 - c.Varistor for option



4 TECHNICAL DATA

MODEL	VOLTAGE		NO LOAD		AT MAXIMUM EFFICIENCY					STALL			
	OPERATING RANGE	NOMINAL V	SPEED r/min	CURRENT A	SPEED r/min	CURRENT A	TORQUE mNm	OUTPUT g.cm	TORQUE mNm	CURRENT A			
FK-290SA	4039	1.5-4.5	3	9200	0.27	7934	1.69	4.3	43.8	3.59	31.4	320	10.6
	13338	6.0-12.0	12	4100	0.04	3303	0.19	4	40.8	1.32	21	214.2	0.92
FK-290PA	18170	6.0-24.0	24	17000	0.11	14378	0.7	7.5	76.5	11.53	54.9	560	4.4

Remarks

1. All values approximate.
2. Customized electric performance on request by using suitable windings.
3. Available with required cables and accessories after evaluation.