

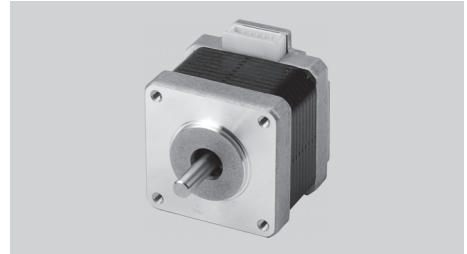


KLS ELECTRONIC CO.,LTD

KLS23-16HS SERIES 1.8°

Key Features

- High Torque
- Smooth Movement
- Small Size



General Specifications

- Bi-polar

Series & Length	Model Number	Holding Torque		Rated Current	Resistance per Phase	Inductance per Phase	Detent Torque		Rotor Inertia	
		mNm	oz-in	A	ohm	mH	mNm	oz-in	g.cm ²	oz-in ²
16HS4 36 mm (1.40 in.)	16HS4003-06N	260	36.85	0.40	29	38	15	2.12	30	0.17
	16HS4007-01N	220	31.18	0.65	7	9.6	15	2.12	30	0.17

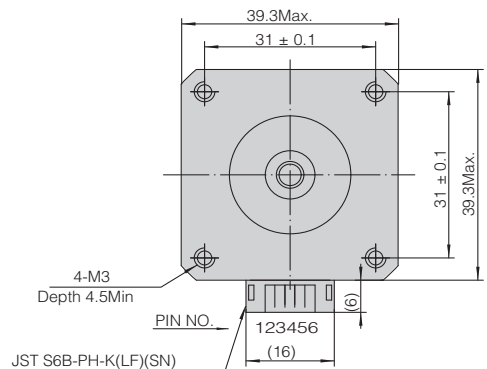
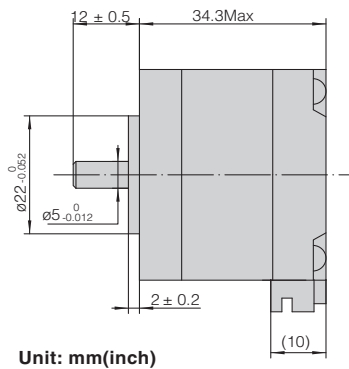
- Uni-polar

Series & Length	Model Number	Holding Torque		Rated Current	Resistance per Phase	Inductance per Phase	Detent Torque		Rotor Inertia	
		mNm	oz-in	A	ohm	mH	mNm	oz-in	g.cm ²	oz-in ²
16HS4 36 mm (1.40 in.)	16HS4005-01N	165	23.38	0.65	7	5.6	15	2.12	30	0.17
	16HS4006-01N	155	21.97	0.30	40	27	15	2.12	30	0.17

- Wiring Connection, Lead Wires, Schematic Diagrams & Stepping Sequence.....Page 62 - 64

Mechanical Dimension

Series	L	Mass
	mm (in.)	kg (lb.)
16HS4	36 (1.40)	0.21 (0.46)



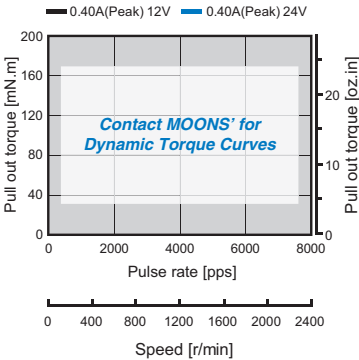


Dynamic Torque Curves

- Bi-polar

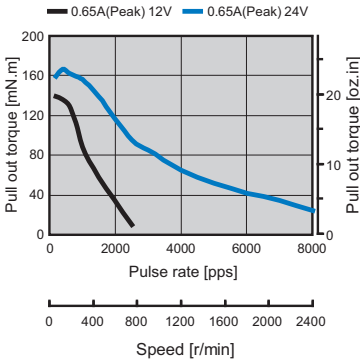
16HS4003-06N

Conditions: Bi-polar Constant Current Driver
 Driver: AMA MS3540M
 Mode: Full Step



16HS4007-01N

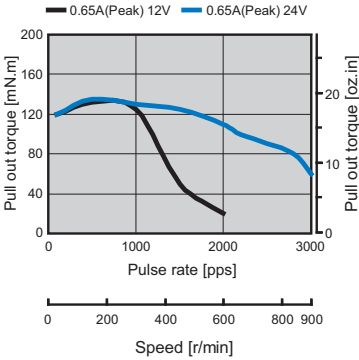
Conditions: Bi-polar Constant Current Driver
 Driver: AMA MS3540M
 Mode: Full Step



- Uni-polar

16HS4005-01N

Conditions: Uni-polar Constant Current Driver
 Driver: AMA MSU3040M
 Mode: Full Step



16HS4006-01N

Conditions: Uni-polar Constant Current Driver
 Driver: AMA MSU3040M
 Mode: Full Step

