

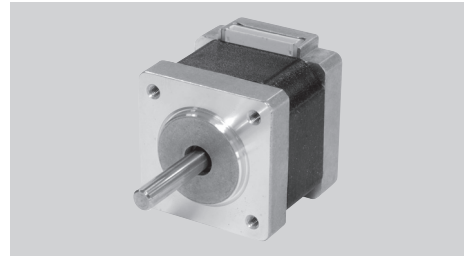


KLS ELECTRONIC CO.,LTD

KLS23-14HA SERIES 0.9°

Key Features

- High Accuracy
- Low Noise
- Smooth Movement



General Specifications

- Bi-polar

Series & Length	Model Number	Holding Torque		Rated Current	Resistance per Phase	Inductance per Phase	Detent Torque		Rotor Inertia	
		mNm	oz-in	A	ohm	mH	mNm	oz-in	g.cm ²	oz-in ²
14HA0 28 mm (1.10 in.)	14HA0001N	100	14.17	0.4	23	25	10	1.42	14	0.08
	14HA0004N	95	13.46	0.6	6.6	6	10	1.42	14	0.08

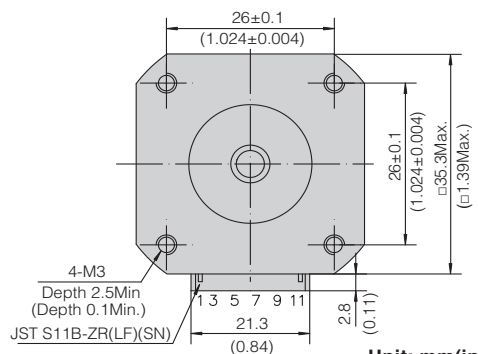
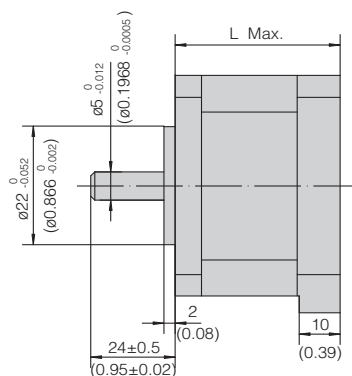
- Uni-polar

Series & Length	Model Number	Holding Torque		Rated Current	Resistance per Phase	Inductance per Phase	Detent Torque		Rotor Inertia	
		mNm	oz-in	A	ohm	mH	mNm	oz-in	g.cm ²	oz-in ²
14HA0 28 mm (1.10 in.)	14HA0005N	75	10.63	0.6	6.6	2.7	10	1.42	14	0.08
	14HA0006N	75	10.63	0.4	23	13	10	1.42	14	0.08

- Wiring Connection, Lead Wires, Schematic Diagrams & Stepping Sequence.....Page 62 - 64

Mechanical Dimension

Series	L	Mass
	mm (in.)	kg (lb.)
14HA0	28 (1.10)	0.16 (0.35)



Unit: mm(inch)

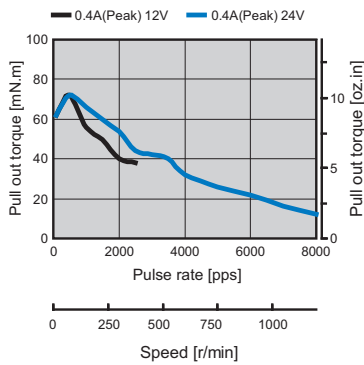


Dynamic Torque Curves

- Bi-polar

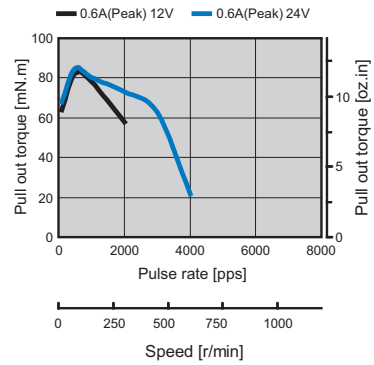
14HA0001N

Conditions:Bi-polar Constant Current Driver
Driver: AMA MS3540M
Mode:Full Step



14HA0004N

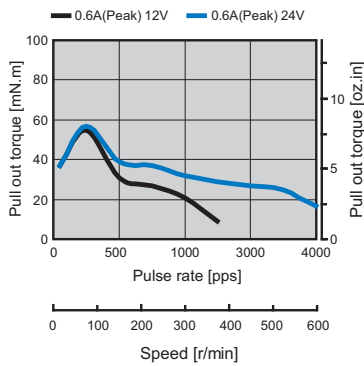
Conditions:Bi-polar Constant Current Driver
Driver: AMA MS3540M
Mode:Full Step



- Uni-polar

14HA0005N

Conditions:Uni-polar Constant Current Driver
Driver: AMA MSU3040M
Mode:Full Step



14HA0006N

Conditions:Uni-polar Constant Current Driver
Driver: AMA MSU3040M
Mode:Full Step

