

	KLS23-B3626M	Output Power 输出功率: 1W~15W	Weight 重量: 95g (Approx.)
	Brushless DC Motor-Typical Application 直流无刷电机-典型应用 Home Application: White Goods, Small Appliance, Fanner, Electric Curtain 家用电器：白色家电，小家电，风扇，电动窗帘 Medical Apparatus: Medical Pump, Surgery Tools, Medical Stirrer, centrifugal Machine 医疗器械：医疗泵，手术器械，搅拌机，离心机 Industry Equipment: Electric Valve, Actuator, Micro Pump 工业设备：阀门，致动器，微型泵 Business Equipment: Printer, Copier, Projector, ATM, Vending Machine 商业设备：打印机，复印机，投影机，ATM机，售卖机 Personal Care: Hair Dryer, Electric Shaver, Massager 个人护理：风筒，电动剃须刀，按摩器		

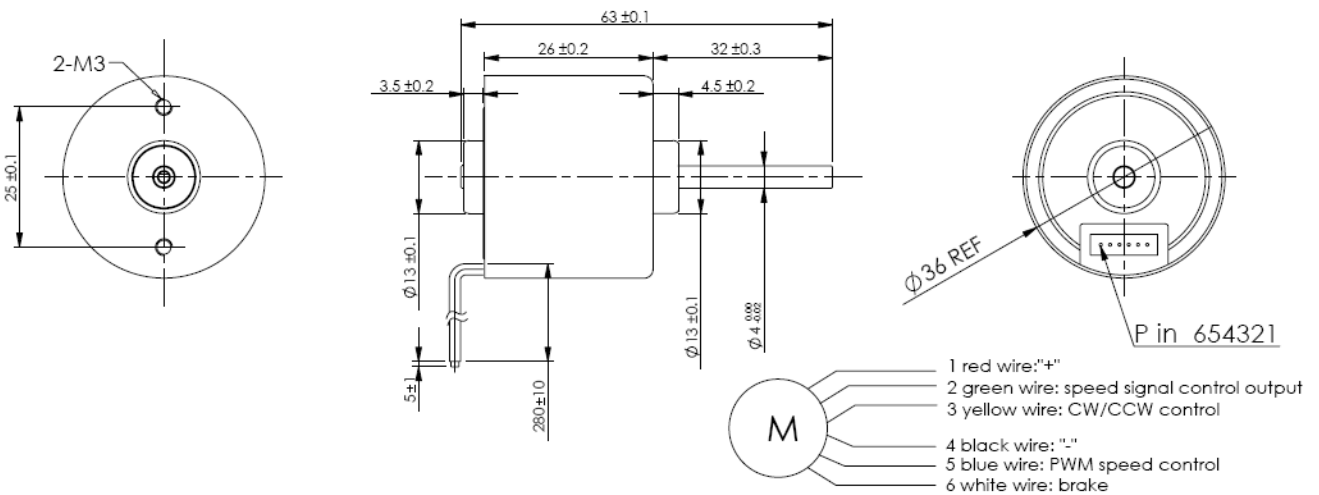
Model 型号	电压 Voltage(V)		No Load 空载		Rated Load 额定负载			Starting 启动		
	Operating Range	Rated	Speed (rpm)	Current (A)	Torque (mNm)	Speed (rpm)	Current (A)	Output P. (W)	Torque (mNm)	Current (A)
B3626M-S01	8-26	9	2720	0.12	13.73	985	0.57	1.42	21.51	0.83
B3626M-S02	8-26	12	4460	0.18	10.79	3750	0.57	4.23	66.74	2.60
B3626M-S03	8-26	24	4680	0.13	35.32	2050	0.80	7.57	62.63	1.33
B3626M-S04	8-26	24	11990	0.35	14.715	9420	0.996	14.52	63.79	3.13

Characteristic: CW & CCW, Signal function available, Locked rotor protection, Stepless speed regulation, Low noise, Low EMI, Long life 10000-50000hrs
特征：双转向，信号功能，锁定保护，无级调速，低噪音，低电磁干扰，超长寿命 10000-50000 小时

Notice: Data in this typical specification sheet are for other certain customer. Voltage, rated torque, speed, current, power and shaft extension feature & dimension can be changed to meet customer specific requirement.

注意：上述规格仅针对特定客户，电压、扭矩、转速、电流、功率、输出轴的特征和尺寸等都可以按照客户的特殊要求进行调整。

Outline Drawing 外形图:



Usable machine screw length 3.0mm max. from motor mounting surface

Unit: Millimeter

Performance Curve 性能曲线:

B3626M-S02

12V

B3626M-S03

24V

