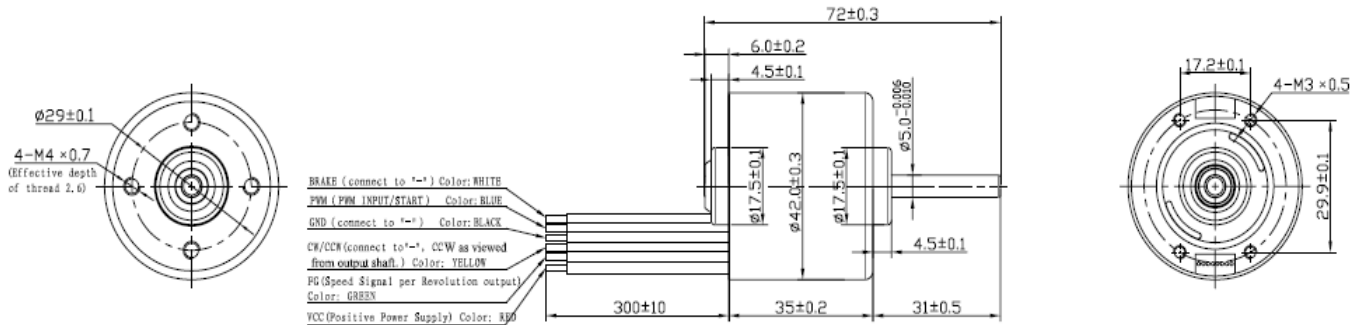
	KLS23-B4235M	Output Power: 5W~35W	Weight: 160g (Approx.)
	Brushless DC Motor-Typical Application Home Application: White Goods, Small Appliance, Fanner, Coffee Machine, Milk Tea Machine Medical Apparatus: Medical Pump, Surgery Tools, Medical Stirrer, centrifugal Machine Power Tools: Screwdriver, Drill, Air Compressor Industry Equipment: Electric Valve, Actuator Business Equipment: Printer, Copier, Projector, ATM, Vending Machine Personal Care: Hair Dryer, Massager, Vibrator		

Model	Voltage(V)		No Load		Rated Load				Starting	
	Operating Range	Rated	Speed (rpm)	Current (A)	Torque (mNm)	Speed (rpm)	Current (A)	Output P. (W)	Torque (mNm)	Current (A)
B4235M-S01	8-26	12	2860	0.21	40.2	2050	1.16	8.62	141.0	3.55
B4235M-S02	8-26	24	6370	0.30	35.0	5100	1.17	18.72	175.8	4.64
B4235M-S03	8-26	24	9400	0.53	18.05	8530	1.16	16.12	194.9	7.37

Characteristic: CW & CCW, Signal function available, Locked rotor protection, Stepless speed regulation, Low noise, Low EMI, Long life 10000-50000hrs

Notice: Data in this typical specification sheet are for other certain customer. Voltage, rated torque, speed, current, power and shaft extension feature & dimension can be changed to meet customer specific requirement.

Outline Drawing :



Usable machine screw length 4.0mm max. from motor mounting surface

Unit: Millimeter

Performance Curve :

B4235M-S02

24V

B4235M-S03

24V

