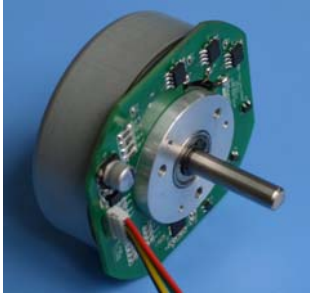


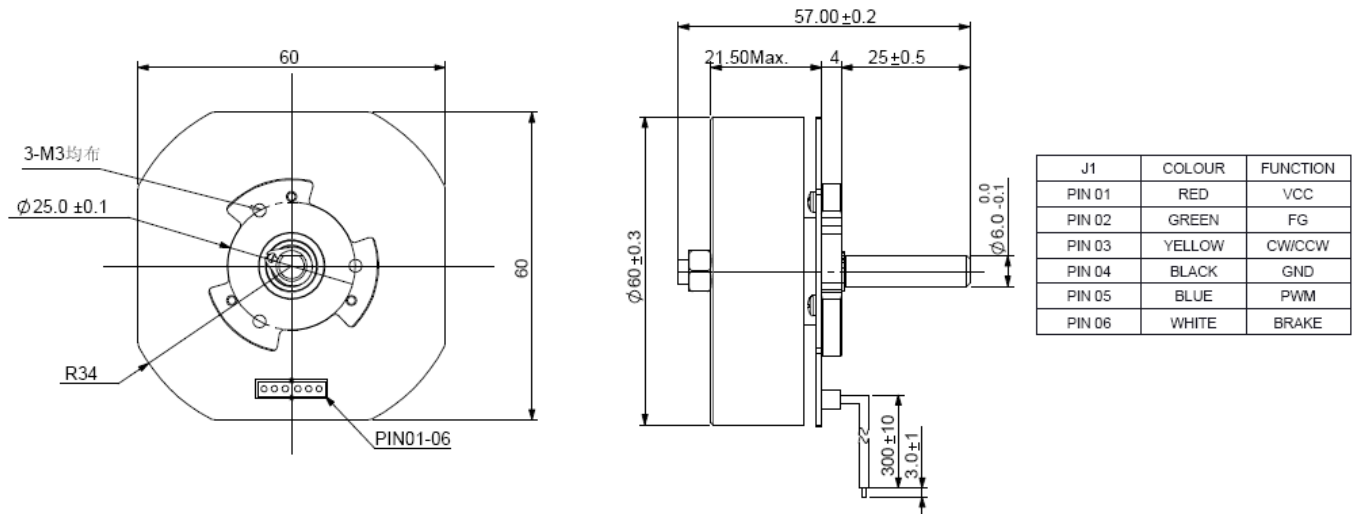
| | | | | |
|---|--|--------------------|----------------------|---------------------------|
|  | KLS23-B6020S | Outer Rotor | Output Power: 5W~60W | Weight: 225g (Approx.) |
| | Brushless DC Motor-Typical Application Home Application: White Goods, Small Appliance, Electric Fanner, Stirrer, Cross Flow Blower Medical Apparatus: Medical Pump, Medical Stirrer, centrifugal Machine Industry Equipment: Air Compressor, Electric Valve Business Equipment: Printer, Copier, Projector, ATM, Vending Machine, Shredder Personal Care: Hair Dryer, Massager | | | |

| Model | Voltage(V) | | No Load | | Rated Load | | | | Starting | |
|------------|-----------------|-------|-------------|-------------|--------------|-------------|-------------|---------------|--------------|-------------|
| | Operating Range | Rated | Speed (rpm) | Current (A) | Torque (mNm) | Speed (rpm) | Current (A) | Output P. (W) | Torque (mNm) | Current (A) |
| B6020S-S01 | 8-26 | 24 | 4230 | 0.57 | 168.0 | 3160 | 3.20 | 55.20 | 662 | 10.88 |
| B6020S-S02 | 8-26 | 24 | 2640 | 0.16 | 158.1 | 1900 | 1.73 | 31.42 | 557 | 5.68 |
| B6020S-S03 | 8-26 | 12 | 1770 | 0.25 | 88.3 | 1310 | 1.41 | 12.11 | 333 | 4.62 |

Characteristic: CW & CCW, Signal function available, Locked rotor protection, Stepless speed regulation, Low noise, Low EMI, Long life 10000-30000hrs

Notice: Data in this typical specification sheet are for other certain customer. Voltage, rated torque, speed, current, power and shaft extension feature & dimension can be changed to meet customer specific requirement.

Outline Drawing :



Unit: Millimeter

Performance Curve :

B6020S-S01

24V

B6020S-S03

12V

