

	KLS23-B6030S	<b>Outer Rotor</b> 外转子	Output Power 输出功率 率: 5W~80W	Weight 重量: 305g (Approx.)
	<b>Brushless DC Motor-Typical Application 直流无刷电机-典型应用</b> Home Application: White Goods, Small Appliance, Electric Fanner, Stirrer, Cross-flow Fan 家用电器: 白色家电, 小家电, 电风扇, 搅拌机, 贯流风机 Medical Apparatus: Medical Pump, Medical Stirrer, centrifugal Machine 医疗器械: 医疗泵, 医用搅拌机, 离心机 Industry Equipment: Air Compressor, Electric Valve 工业设备: 气体压缩机, 电动阀门 Business Equipment: Printer, Copier, Projector, ATM, Vending Machine, Shredder 商业设备: 打印机, 复印机, 投影机, ATM机, 售卖机, 碎纸机 Personal Care: Hair Dryer, Massager 个人护理: 风筒, 按摩器			

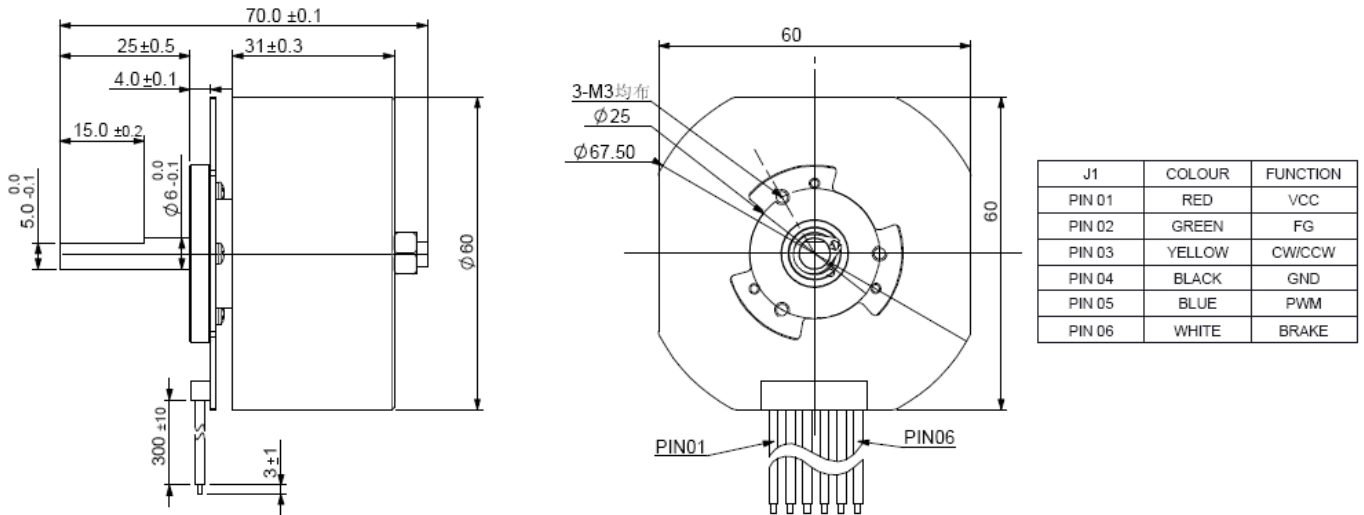
Model 型号	电压 Voltage(V)		No Load 空载		Rated Load 额定负载			Starting 起动		
	Operating Range	Rated	Speed (rpm)	Current (A)	Torque (mNm)	Speed (rpm)	Current (A)	Output P. (W)	Torque (mNm)	Current (A)
B6030S-S01	85-265 ac	220 ac	2300	0.13	294	1370	0.57	42.3	730	1.22
B6030S-S02	8-26	24	2990	0.46	196	2220	2.48	45.6	762	8.00
B6030S-S03	8-26	12	1996	0.65	117.7	1430	2.35	17.5	410	6.57

**Characteristic:** CW & CCW, Signal function available, Locked rotor protection, Stepless speed regulation, Low noise, Low EMI, Long life 10000-30000hrs **特征:** 双转向, 信号功能, 锁定保护, 无级调速, 低噪音, 低电磁干扰, 超长寿命 10000-30000 小时

**Notice:** Data in this typical specification sheet are for other certain customer. Voltage, rated torque, speed, current, power and shaft extension feature & dimension can be changed to meet customer specific requirement.

**注意:** 上述规格仅针对特定客户, 电压、扭矩、转速、电流、功率、输出轴的特征和尺寸等都可以按照客户的特殊要求进行调整。

### Outline Drawing 外形图:

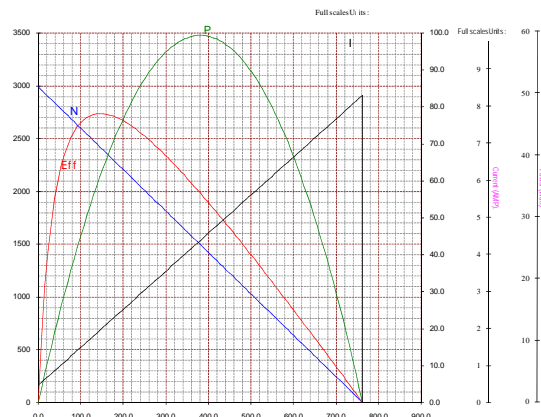


Unit: Millimeter

### Performance Curve 性能曲线:

B6030S-S02

24V



B6030S-S03

12V

