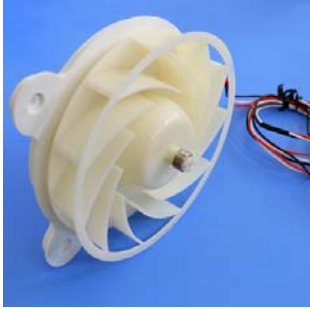




KLS ELECTRONIC CO.,LTD.

Standard & General BLDC

	KLS23- B3020F	Brushless DC Fan	Output Power :0.3W~5W	Weight: 160g (Approx.)
	<p><i>3-Phase</i> Brushless DC Fan- Specific for Refrigerator Condenser Fan</p>			

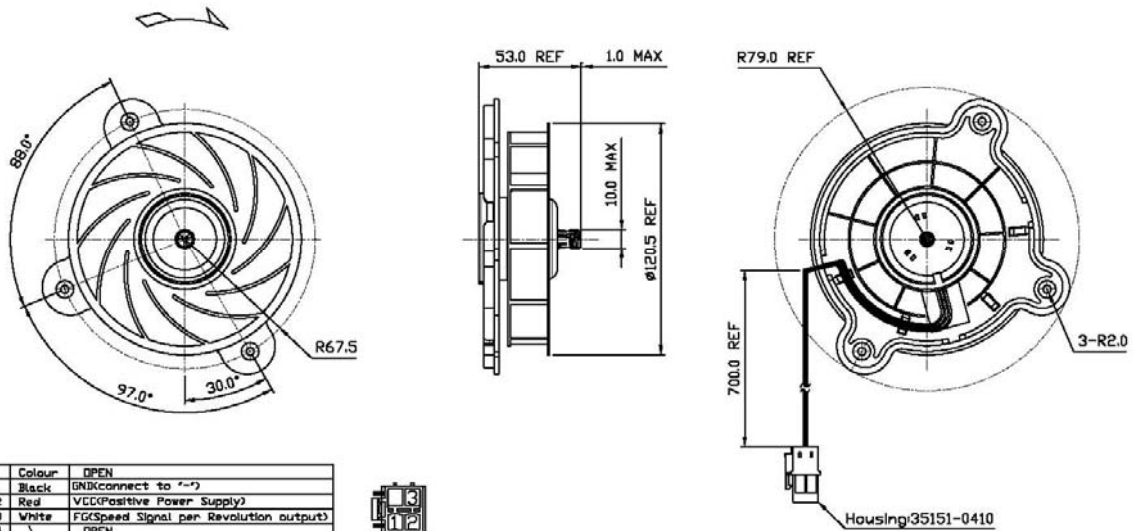
Model	Voltage(V)		No Load		Rated Load			Starting		
	Operating Range	Rated	Speed (rpm)	Current (A)	Torque (mNm)	Speed (rpm)	Current (A)	Output P. (W)	Torque (mNm)	Current (A)
B3020F-S01	5-12	12	2943	0.075	5.101	1886	0.21	1.007	14.17	0.45

Characteristic: CW or CCW, Signal function available, Locked rotor protection, Low noise, Low EMI, Long life 5000 min hrs

Notice: Data in this typical specification sheet are for other certain customer. Voltage, rated torque, speed, current, power and shaft extension feature & dimension can be changed to meet customer specific requirement.

Outline Drawing: (Unit: Millimeter)

DIRECTION OF ROTATION



Performance Curve:

B3020F-S01

12V DC

