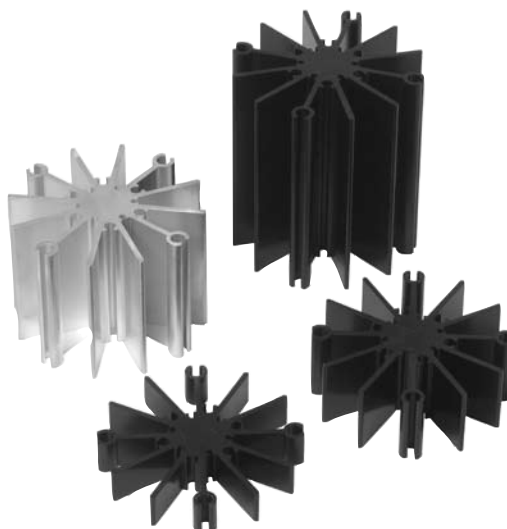


# S Series

## LED Heatsinks

Ohmite S Series LED Heatsinks are low cost and easy assembly heat sinks for “Star” LED packages supplied by Cree, Lumileds, Osram and others. This simple heat sink can hold LED modules and can be mounted simply with some thread forming screws. The heat sink has two types of surface finish and can be used in either natural (free) or forced convection cooling applications.



### SERIES SPECIFICATIONS

Heatsink Part Number	Height (in/mm)	Surface area (in <sup>2</sup> /mm <sup>2</sup> )	Weight (oz/g)	Thermal resistance (°C/W)	
				Free conv.	Forced conv.
SV-LED-113E	0.50 / 12.7	18 / 11,739	0.077 / 35	6.67	4.33
SA-LED-113E				5.33	4.33
SV-LED-125E	1.00 / 25.4	36 / 23,478	0.154 / 70	5.33	2.88
SA-LED-125E				4.27	2.88
SV-LED-151E	2.00 / 50.8	72 / 46,956	0.308 / 140	4.00	1.89
SA-LED-151E				3.20	1.89
SV-LED-176E	3.00 / 76.2	108 / 70,434	0.462 / 210	3.11	1.55
SA-LED-176E				2.49	1.55

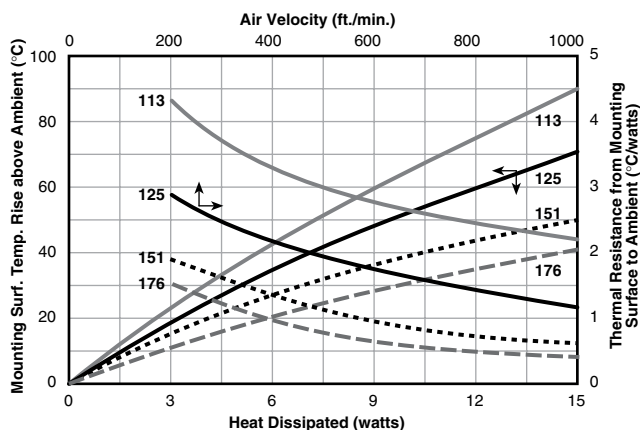
### CHARACTERISTICS

**Heat Sink** Aluminum Alloy 6063-T5 or Equivalent with either degressed or black anodized finish.

**Mounting Hardware** 1/4, #10, and #4 thread forming SS screws are preferred

**Compliance** Either degressed or black anodized finished parts are RoHS compliant.

#### Heat Dissipation

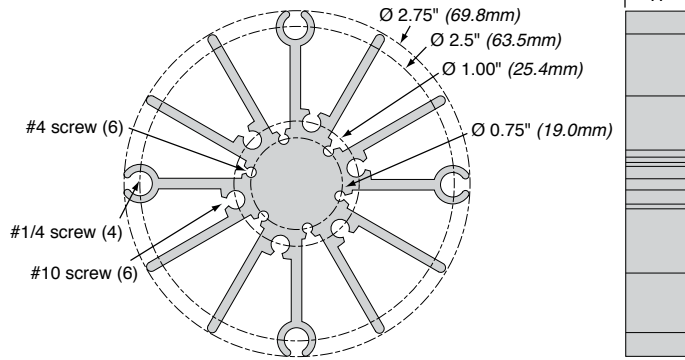


# S Series

## LED Heatsinks

### DIMENSIONS

(in./mm)



Part Number	Height H (in/mm)	Surface area (in <sup>2</sup> /mm <sup>2</sup> )	Weight (oz/g)
SV-LED-113E SA-LED-113E	0.50 / 12.7	18 / 11,739	0.077 / 35
SV-LED-125E SA-LED-125E	1.00 / 25.4	36 / 23,478	0.154 / 70
SV-LED-151E SA-LED-151E	2.00 / 50.8	72 / 46,956	0.308 / 140
SV-LED-176E SA-LED-176E	3.00 / 76.2	108 / 70,434	0.462 / 210

### ORDERING INFORMATION

RoHS Compliant

**S V - L E D - 1 1 3 E**

Series      Coating      Height  
 A = black anodized  
 V = degreased

#### Standard part numbers

Part Number	Description	Packaging
SV-LED-113E	12.7mm, no finish (degreased)	Bulk
SA-LED-113E	Black Anodized, 12.7mm	Bulk
SV-LED-125E	25.4mm, no finish (degreased)	Bulk
SA-LED-125E	Black Anodized, 25.4mm	Bulk
SV-LED-151E	50.8mm, no finish (degreased)	Bulk
SA-LED-151E	Black Anodized, 50.8mm	Bulk
SV-LED-176E	76.2mm, no finish (degreased)	Bulk
SA-LED-176E	Black Anodized, 76.2mm	Bulk