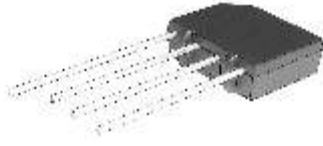


# 2KBP005M thru 2KBP10M

## 2.0 A Single-Phase Silicon Bridge Rectifier Rectifier Reverse Voltage 50 to 1000V

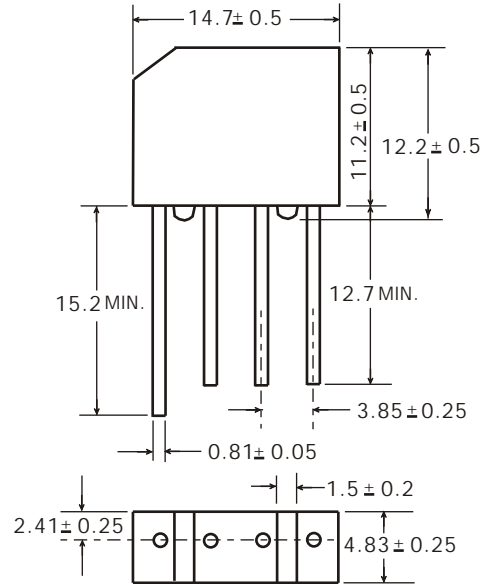


### Features

- This series is UL listed under the Recognized Component Index, file number E142814
- Ideal for printed circuit board mounting
- The plastic material used carries Underwriters Laboratory flammability recognition 94V-0
- Built-in printed circuit board stand-offs
- High case dielectric strength
- High temperature soldering guaranteed 265°C/10 seconds at 5 lbs (2.3kg) tension

### Mechanical Data

Case: Reliable low cost construction utilizing molded plastic technique  
 Terminals: Plated leads solderable per MIL-STD-202, Method 208  
 Mounting Position: Any  
 Weight: 0.065 ounce, 2.2 grams (approx)



Dimensions in millimeters(1mm = 0.0394")

### Maximum Ratings & Thermal Characteristics

Rating at 25°C ambient temperature unless otherwise specified, Resistive or Inductive load, 60 Hz.  
 For Capacitive load derate current by 20%.

Parameter	Symbol	2KBP 005M	2KBP 01M	2KBP 02M	2KBP 04M	2KBP 06M	2KBP 08M	2KBP 10M	unit
Maximum repetitive peak reverse voltage	VRRM	50	100	200	400	600	800	1000	V
Maximum RMS bridge input voltage	VRMS	35	70	140	280	420	560	700	V
Maximum DC blocking voltage	VDC	50	100	200	400	600	800	1000	V
Maximum average forward rectified output current at TA=50°C	IF(AV)				2.0				A
Peak forward surge current single sine-wave superimposed on rated load (JEDEC Method)	IFSM				60				A
Rating for fusing ( t<8.3ms)	I <sup>2</sup> t				15.0				A <sup>2</sup> sec
Typical thermal resistance per element (1)	ReJA				10.0				°C / W
Typical junction capacitance per element (2)	Cj				25.0				pF
Operating junction and storage temperature range	TJ, TSTG				-55 to + 150				°C

### Electrical Characteristics

Rating at 25°C ambient temperature unless otherwise specified. Resistive or Inductive load, 60Hz.  
 For Capacitive load derate by 20 %.

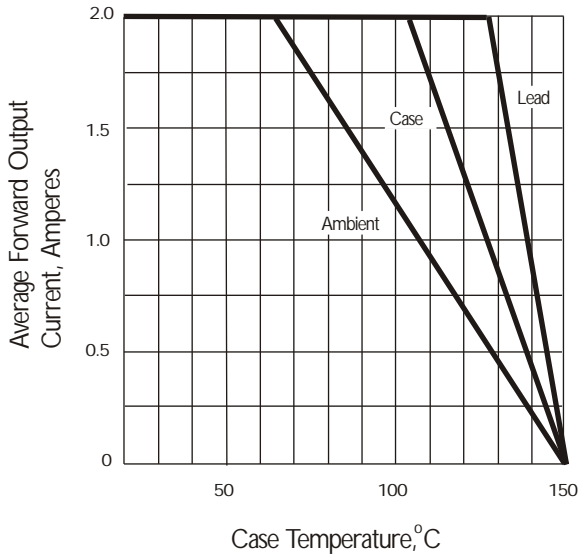
Parameter	Symbol	2KBP 005M	2KBP 01M	2KBP 02M	2KBP 04M	2KBP 06M	2KBP 08M	2KBP 10M	Unit
Maximum instantaneous forward voltage drop per leg at 2.0A	VF				1.1				V
Maximum DC reverse current at rated TA =25°C DC blocking voltage per element TA =125°C	IR				10 500				μA

**Notes:** (1)Thermal resistance from Junction to Ambient on P.C.board mounting.  
 (2)Measured at 2.0MHz and applied reverse voltage of 4.0 volts.

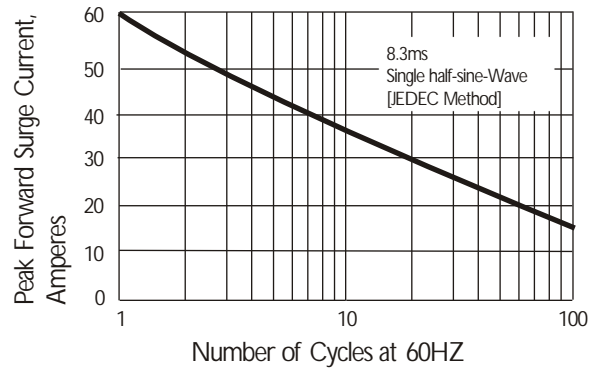


### Rating and Characteristic Curves ( $T_A = 25^\circ\text{C}$ Unless otherwise noted )

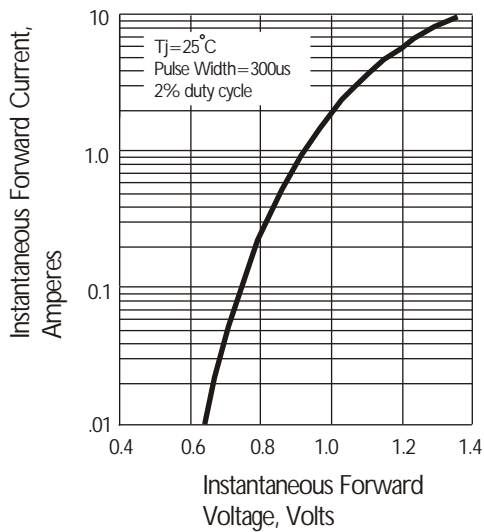
**Fig. 1 Derating Curve for Output Rectified Current**



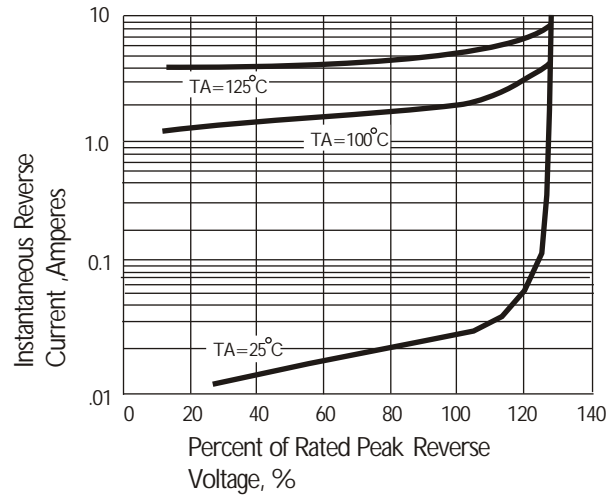
**Fig. 2 Maximum Non-repetitive Peak Forward Surge Current**



**Fig. 3 Typical Instantaneous Forward Characteristics**



**Fig. 4 Typical Reverse Characteristics**



**Fig. 5 Typical Junction Capacitance**

