

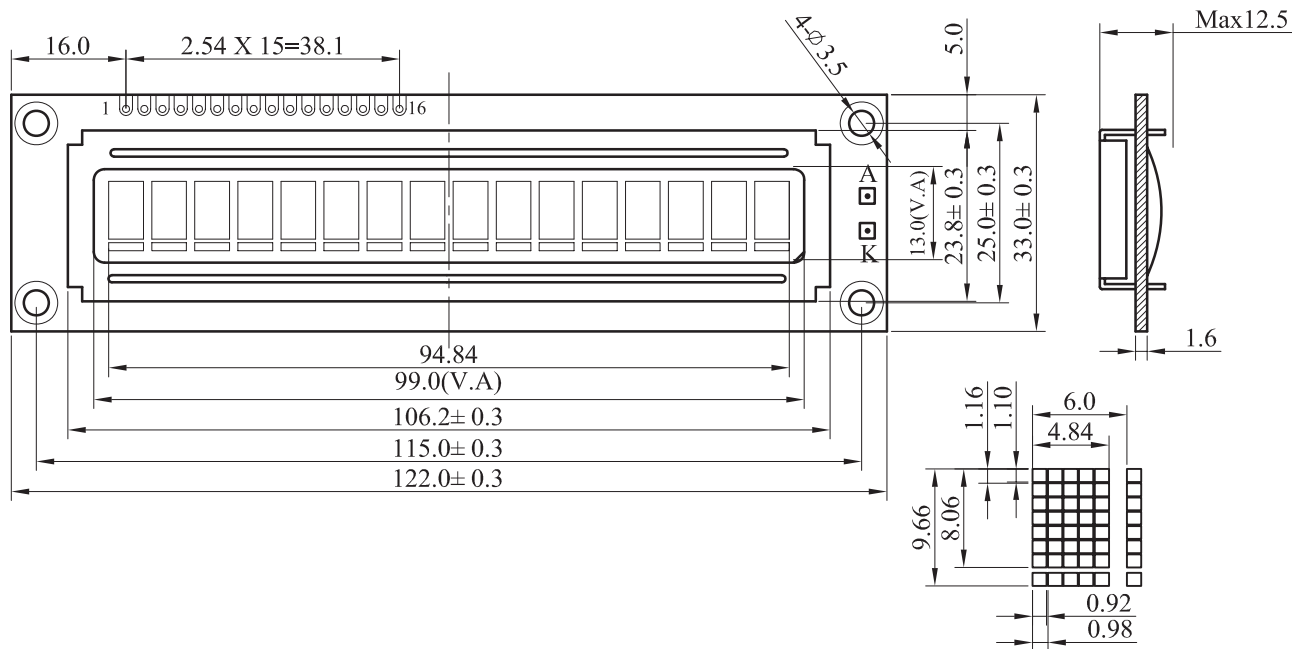
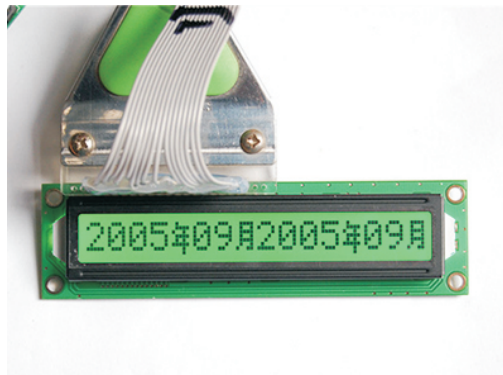
**Character Type LCD Module**

KLS9-1601C 16 Characters x 1 Line 1/16 duty 1/5 bias  
Yellow-Green or Blue mode STN Transflective

IX

**Explain :**

Display: 16 Characters x 1 Line  
Outline:(LxWxH)/mm:122.0\*33.0\*12.5  
Dot: 0.6x0.75  
Driver Condition: 1/16 duty 1/5 bias  
Controller: KS0069 or Eqv.  
Operating Temp.: -10°C~+60°C



**ORDER INFORMATION**

**L-KLS9-1601C**

Part Number

Display: 16 Characters x 1 Line

**Character Type LCD Module**

KLS9-1601C 16 Characters x 1 Line 1/16 duty 1/5 bias  
Yellow-Green or Blue mode STN Transflective



**ABSOLUTE MAXIMUM RATINGS**

Item	Symbol	Min.	Max.	Unit
Supply Voltage(Logic)	Vdd - Vss	-0.3	7.0	V
Supply Voltage(LCD)	Vdd - V0	-0.3	5.0	V
Input Voltage	Vi	-0.3	Vdd + 0.3	V
Operating Temp.	Topr	0	50	°C
Storage Temp.	Tstg	-10	60	°C

**MECHANICAL DATA**

Item	Max.	Unit
Module Size (W X H X T)	122.0 X 33.0 X 12.5	mm
Viewing Area(W X H)	99.0 X 13.0	mm
Character Size(W X H)	4.84 X 9.66	mm
Dot Size(W X H)	0.92 X 1.10	mm
View Angle	6 or 12 O'Clock	

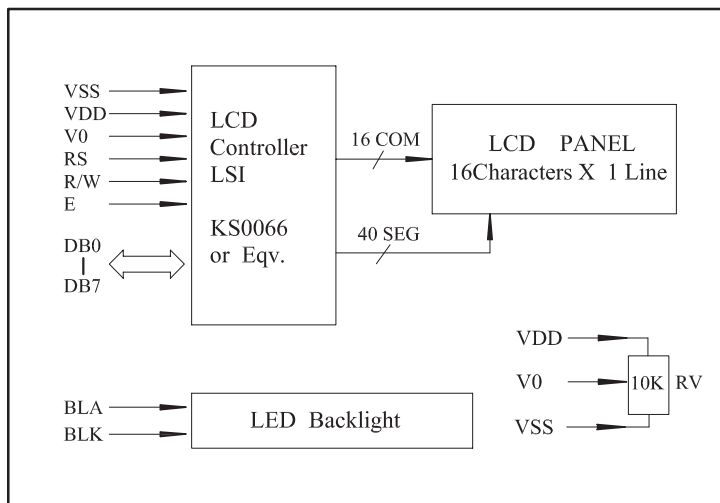
**ELECTRICAL CHARACTERISTICS (Vdd=5V±0.25V)**

Item	Symbol	Test Condition	Min.	Typ.	Max.	Unit
Input High Voltage	Vih	--	2.0	--	Vdd	V
Input Low Voltage	Vil	--	-0.3	--	0.8	V
Output High Voltage	Voh	Ioh=-0.2mA	2.4	--	Vdd	V
Output Low Voltage	Vol	Iol=-1.6mA	0	--	0.4	V
Supply Current	Idd	Vdd=5.0V	--	1.0	2.0	mA
LCD Driving Voltage	Vdd - V0	Ta=25°C	--	4.7	--	V

**PIN CONNECTIONS**

Pin	Symbol	Level	Function
1	VSS	0V	Power GND
2	VDD	+5V	Power supply for logic
3	V0	--	Operation voltage for LCD
4	RS	H/L	H:Data L:Instruction code
5	R/W	H/L	H:Read L:Write
6	E	H/L	Enable signal
7	DB0	H/L	Data bus line
8	DB1	H/L	
9	DB2	H/L	
10	DB3	H/L	
11	DB4	H/L	
12	DB5	H/L	
13	DB6	H/L	
14	DB7	H/L	
15	BLK	0V	Power supply for LED backlight
16	BLA	+5V	

**BLOCK DIAGRAM**



**LCD Type**

LCD Color	Backlight
Yellow Green	LED/Yellow Green/4.1V (<250mA)
Blue	LED/White /3.2V (<100mA)

**ORDER INFORMATION**

**L-KLS9-1601C**

Part Number \_\_\_\_\_ Display: 16 Characters x 1 Line