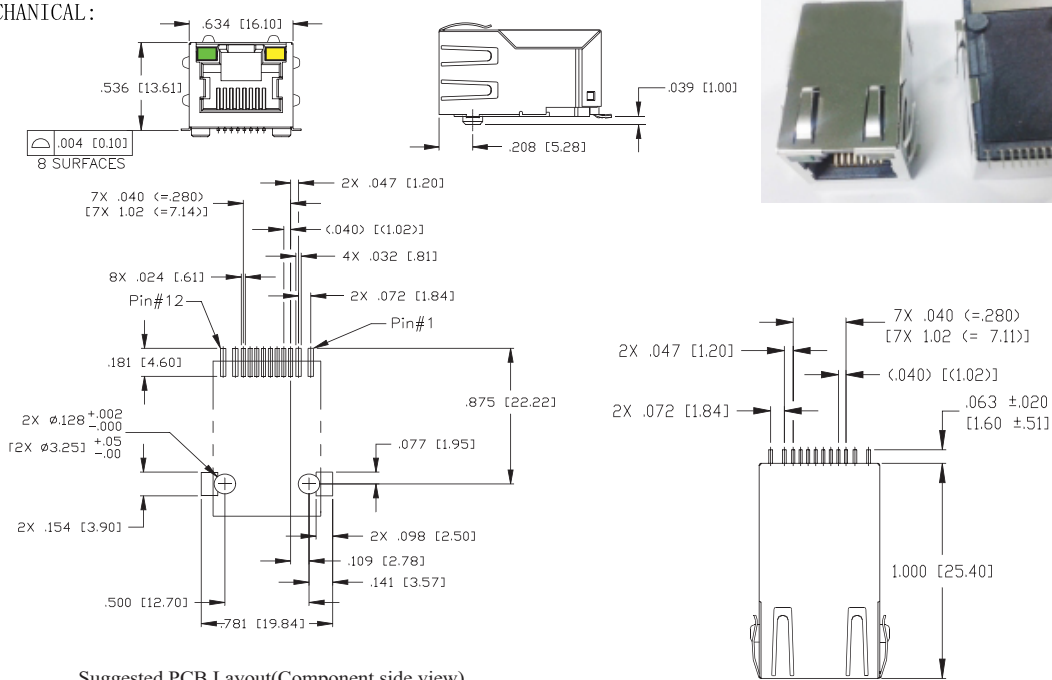


Modular Jack with Transformer



KLS12-TL061 RJ45 Modular Jack 1x1Tab-UP 100BASE

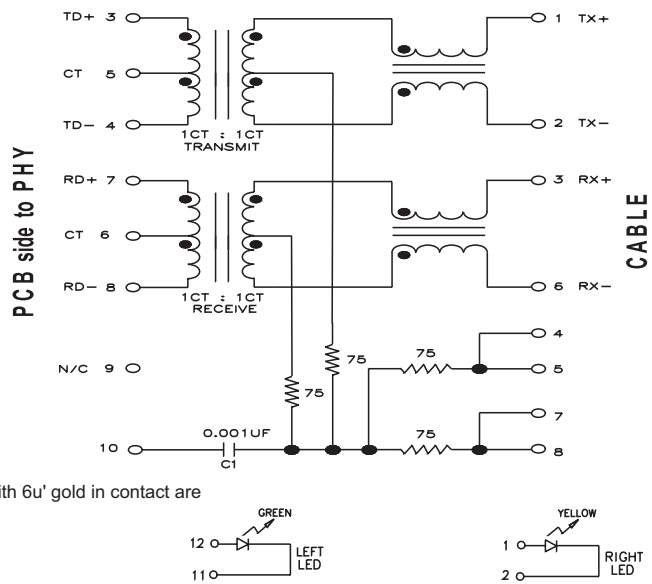
MECHANICAL:



Suggested PCB Layout(Component side view)

ELECTRICAL SPECIFICATIONS @ 25°C unless otherwise noted:

- Insertion Loss: 1-100MHZ -1.0dB MAX
- Return Loss: 1-30MHZ -16.0dB MIN
30-60MHZ -14.0dB MIN
60-80MHZ -10.0dB MIN
- Cross Talk: 1-30MHZ -40.0dB MIN
30-60MHZ -35.0dB MIN
60-80MHZ -30.0dB MIN
- CMR: 1-100MHZ -35.0dB MIN
- Hi-Pot: 1500v AC 6S 1mA
- OCL:350uH MIN @ 100KHZ 100mV 8mA DC
- Contacts: 0.35mm thick phos bronze plated with 6u' gold in contact are
- Housing Material: LCP Black
- Operating temperature range:0°C to +70°C



ORDER INFORMATION

L-KLS12-TL061-G/Y-03-T

