



## Power Relay

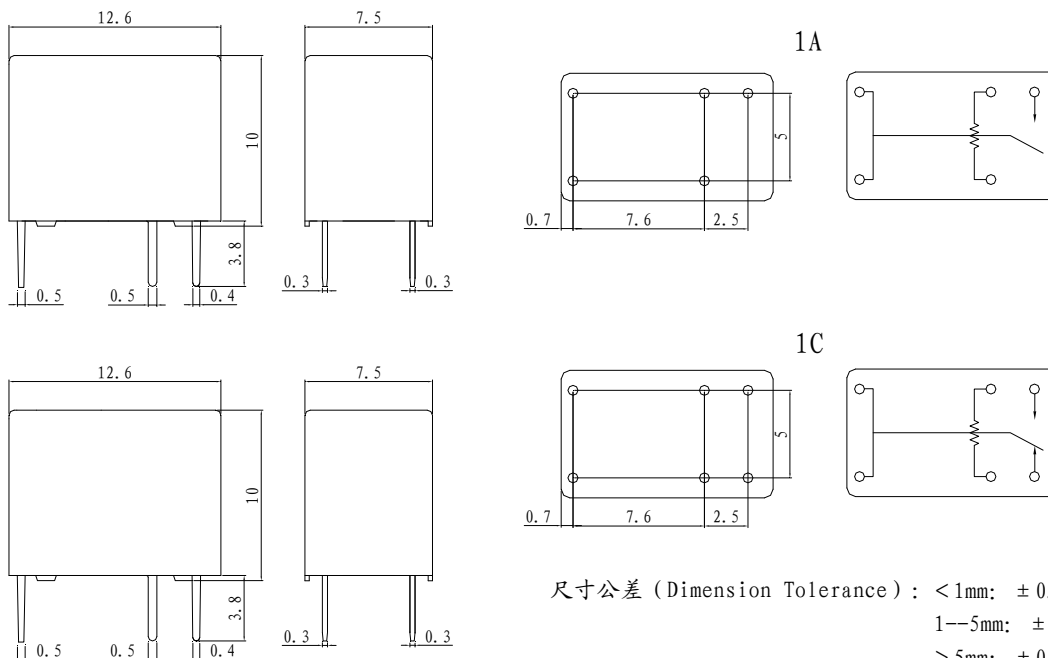
### Coil Specification (at 20 °C)

Coil Sensitivity	Nominal Voltage (VDC)	Nominal Current (mA)	Coil Resistance ( $\Omega \pm 8\%$ )	Power Consumption (W)	Pull-In Voltage (VDC)	Drop-Out Voltage (VDC)	Maximum Allowable Voltage (VDC)
BSC-D BSC-DM	3	66.7	45	Abt. 0.2	75% Maximum	10% Minimum	130%
	5	40	125				
	6	33.7	180				
	9	22.5	400				
	12	16.7	720				
BSC-L BSC-LM	24	8.3	2880	Abt. 0.15	75% Maximum	10% Minimum	130%
	3	50	60				
	5	29.9	167				
	6	25	240				
	9	16.7	540				
	12	12.5	960				
	24	6.3	3840				

### Classification

Model	BSC			
Coil Sensitivity	Standard DC Coil		High Sensitivity DC Coil	
	1C	1A	1C	1A
Plastic Sealed Type	BSC-SS-1□□D	BSC-SS-1□□DM	BSC-SS-1□□L	BSC-SS-1□□LM

### Dimension



## ORDER INFORMATION

Product NO.: **BSC-SS-112L**

