



Stereo Jack Series

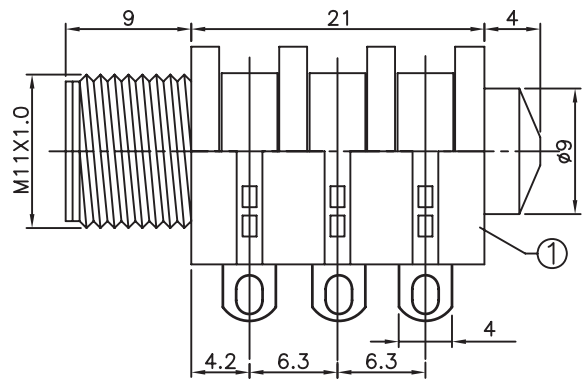
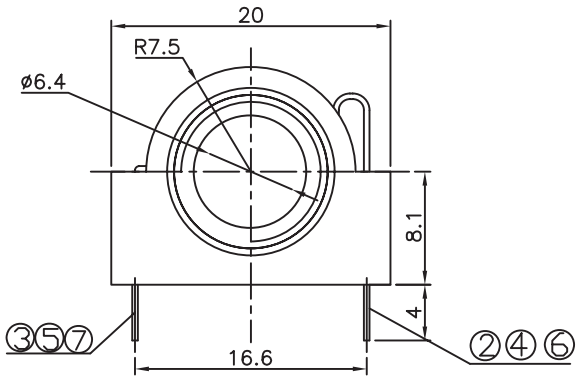
KLS1-TG6.3-006H (Stereo Jack Series)

Technical parameters:

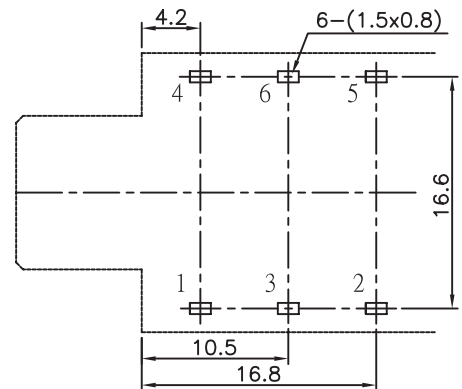
- Rated voltage: DC 30 V
- Rated current: 0.5 A
- Contact resistance: 0.03Ω, max
- Insulation resistance: 100MΩ, min
- Pressure: AC500V (50Hz) / 1minute
- Insertion Force :2-20 N
- Life: 50000 times
- Operating Temperature:-30°C ~ 70°C

Material:

- Housing : PC
- Contact foot : Brass
- Spring : Phosrhor Bronze



SCHEMATIC			
TG6.3-006HA	TG6.3-006H	TG6.3-006HB	TG6.3-006HC



T:1.6 Dimensions of PC board holes
Tolerance : ±0.1(Printed-top view)

ORDER INFORMATION

Product NO.: KLS1-TG6.3-006HA

