

Stereo Jack Series

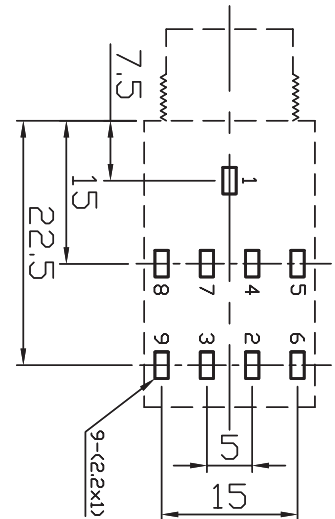
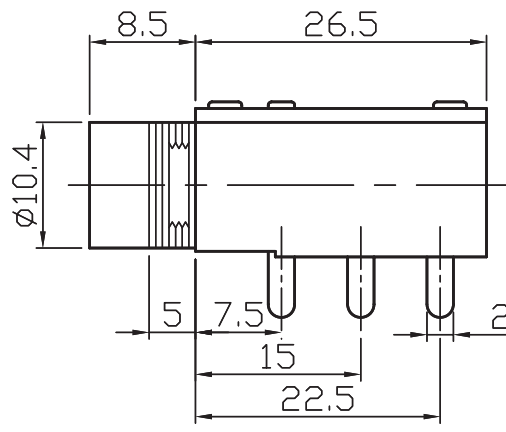
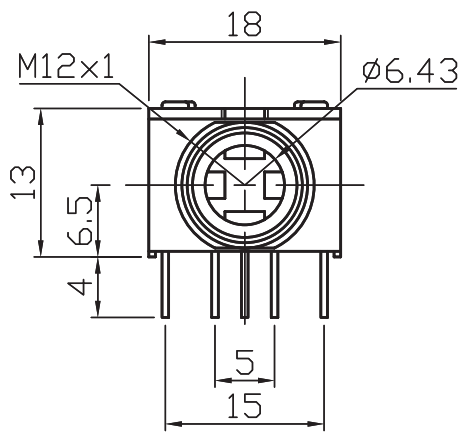
KLS1-TG6.3-011B (Stereo Jack Series)

Technical parameters:

Technical parameters:
 Contact resistance: 0.03Ω, max
 Insulation resistance: 100MΩ, min
 Rated Load: DC 50V 1A
 Withstand voltage: 500V AC / 1 minute/50Hz
 Insertion Force :5-40 N
 Life: 5000 times
 Operating Temperature:-30°C ~ 70°C

Material:

Housing: PC
 Contacts: copper



TG6.3-011B	TG6.3-011BA	TG6.3-011BB	TG6.3-011BC	TG6.3-011BD	TG6.3-011BE	TG6.3-011BF	TG6.3-011BG	TG6.3-011BH	TG6.3-011BI

ORDER INFORMATION

Product NO.: KLS1-TG6.3-011BA

