

## Stereo Jack Series

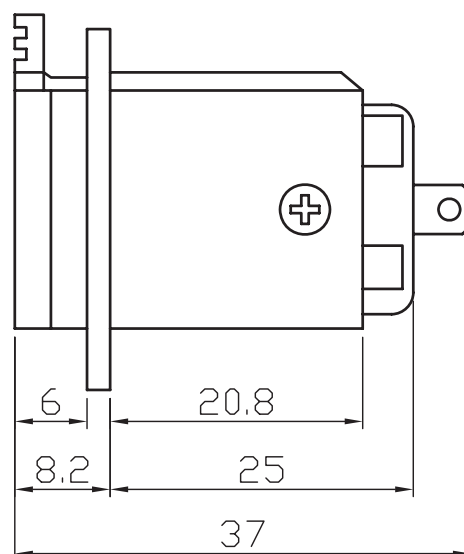
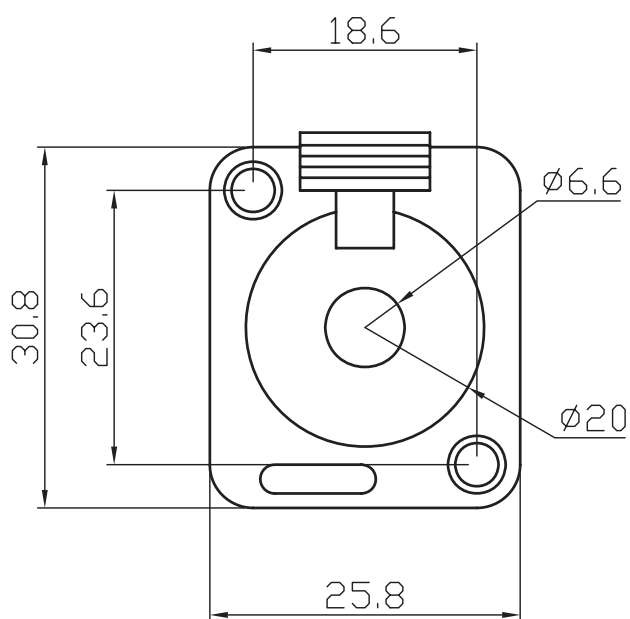
KLS1-TG6.3-013A (Stereo Jack Series)

### Technical parameters:

Technical parameters:  
Contact resistance: 0.03Ω, max  
Insulation resistance: 100MΩ, min  
Rated Load: DC 50V 1A  
Withstand voltage: 500V AC / 1 minute/50Hz  
Insertion Force :5-40 N  
Life: 5000 times  
Operating Temperature:-30°C ~ 70°C

### Material:

Housing: PC  
Contacts: copper



## ORDER INFORMATION

Product NO.: KLS1-TG6.3-013A

Pos. NO.

6.3mm Stereo Jack Series