

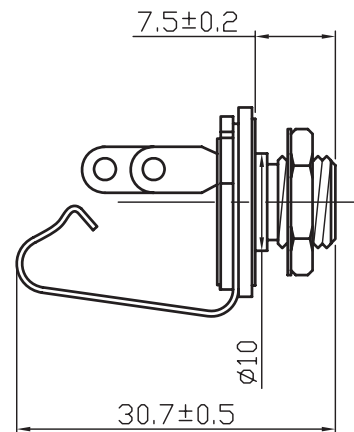
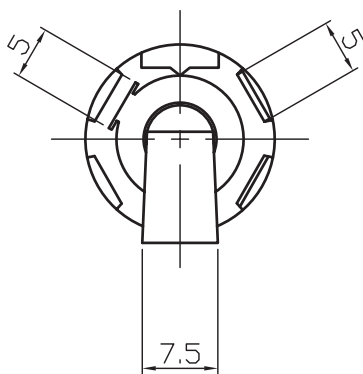
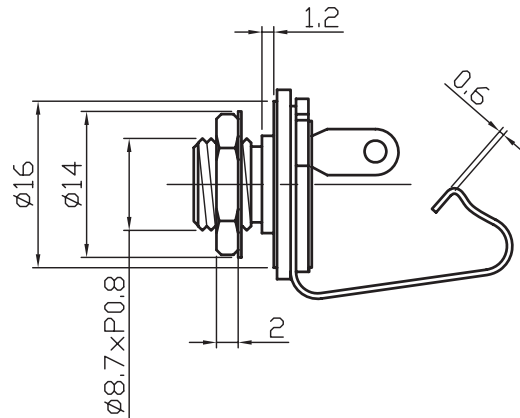
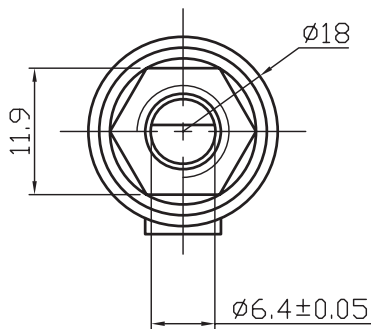


Stereo Jack Series

KLS1-TG6.3-001A (Mono Jack)

Technical parameters:

Contact resistance: 30mΩ, max
Insulation resistance: 100MΩ min at DC 500V
Dielectric Withstand voltage: AC 500V for one minute
Operating Temperature: -30°C ~ 70°C



ORDER INFORMATION

Product NO.: KLS1-TG6.3-001A

