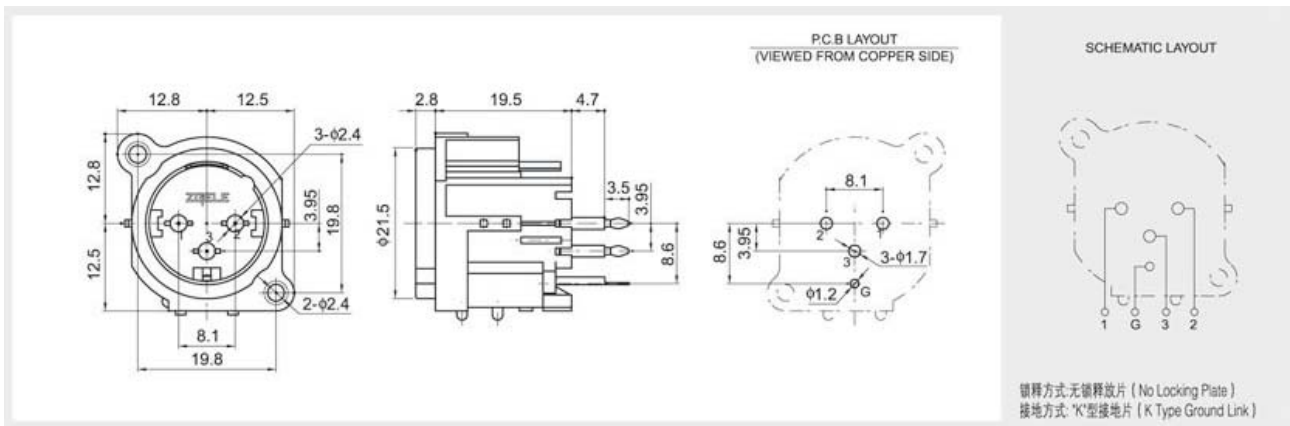


**XLR CONNECTOR SERIES**

KLS1-XLR-S11 (XLR Socket)

**Electrical Specification:**

- Contact resistance:  $\leq 0.03\Omega$
- Insulation resistance:  $\geq 100m\Omega$
- Withstand voltage: 500V AC (50Hz)/minute
- Rated load: 50V DC, 1A
- Insertion and extraction force: 4-40N
- Temperature range:  $-30^{\circ}C \sim +80^{\circ}C$



**ORDER INFORMATION**

Product NO.:KLS1-XLR-S11-03-M-S-W-N

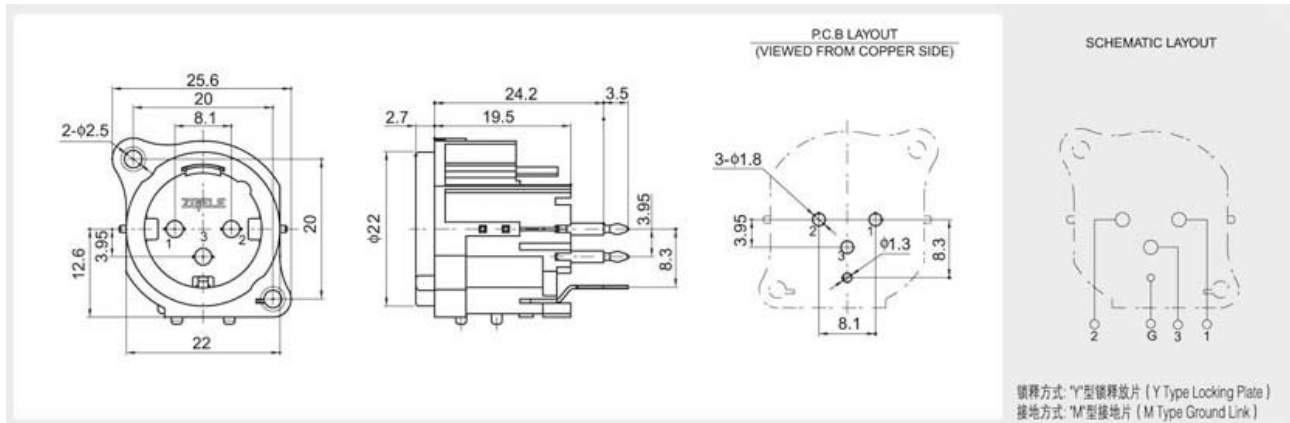
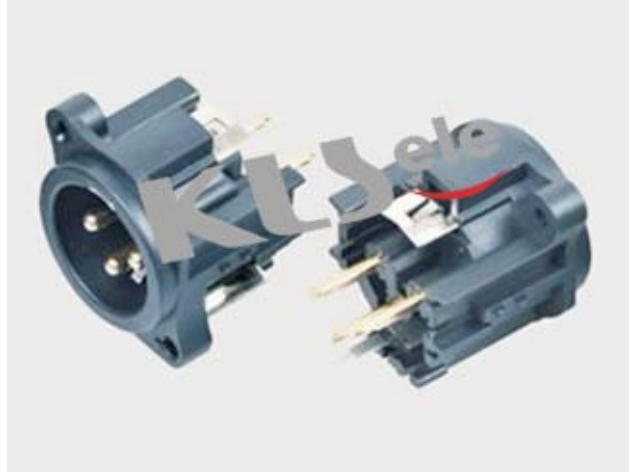


**XLR CONNECTOR SERIES**

KLS1-XLR-S11 (XLR Socket)

**Electrical Specification:**

Contact resistance:  $\leq 0.03\Omega$   
 Insulation resistance:  $\geq 100m\Omega$   
 Withstand voltage: 500V AC (50Hz)/minute  
 Rated load: 50V DC, 1A  
 Insertion and extraction force: 4-40N  
 Temperature range: -30°C ~+80°C



**ORDER INFORMATION**

Product NO.:KLS1-XLR-S11-03-M-S-W-W

