

RCA JACK Series

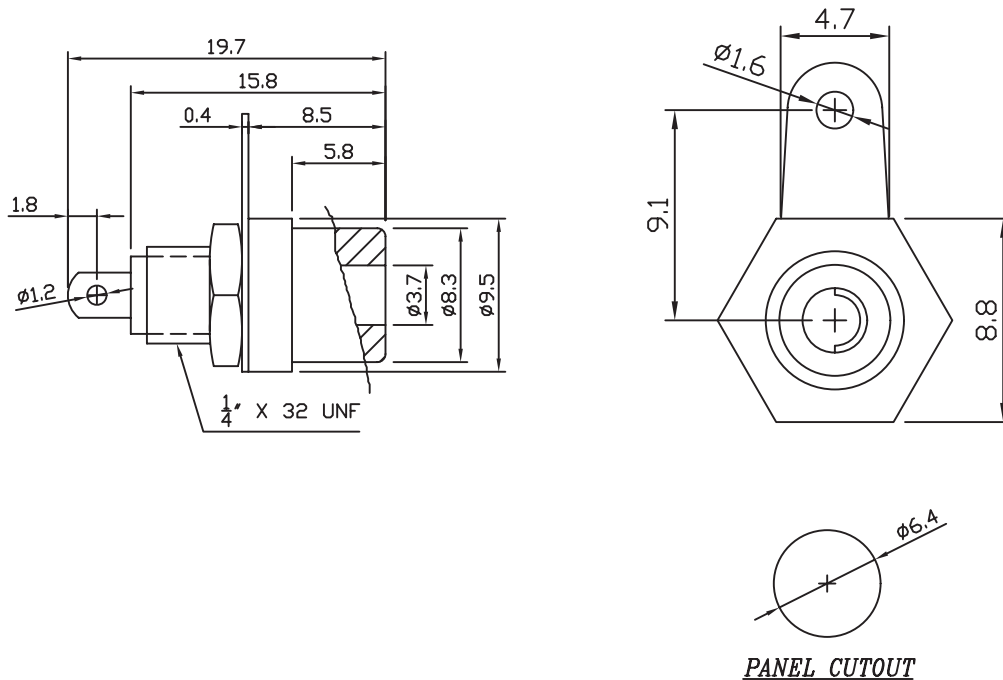
KLS1-RCA-107 Phono 2POS Rear Panel Mount RCA Jack

Electrical Specification:

Contact resistance : 30mΩ Max
 Insulation resistance : 50MΩ Min at DC 500V
 Withstand voltage : AC 500V(50Hz) 1min
 Operating Temperature : -25°C~+85°C

Materials

Contacts : Brass Nickel Plated
 Housing : Brass Nickel Plated
 Insulator : PBT UL94V-0



ORDER INFORMATION

Product NO.: KLS1-RCA-107-N-R

Pos. NO.	_____	Color: R: Red
RCA Jack Type	_____	B: Black
N: Nickel Plated	_____	Y: Yellow
		W: White
		G: Green
		L: Blue