

Stereo Jack Series

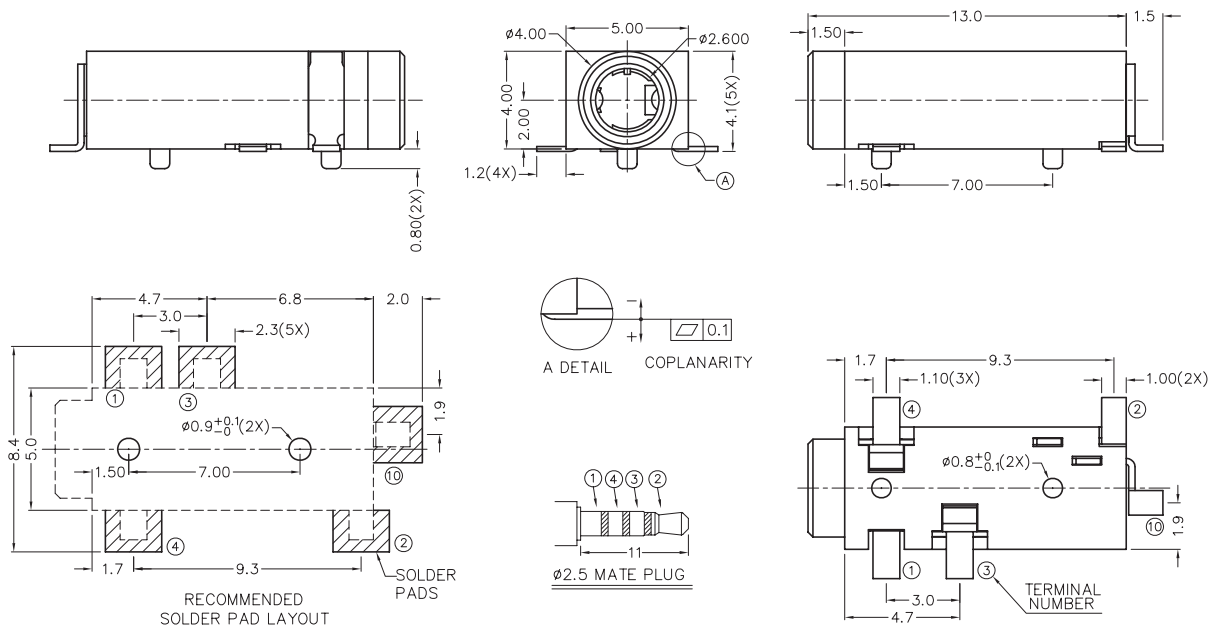
KLS1-SPJ2.5-008 (SMD Stereo Jack)

Technical parameters:

- Rated voltage: DC 30 V
- Rated current: 0.5 A
- Contact resistance: 0.03Ω, max
- Insulation resistance: 100MΩ, min
- Pressure: AC500V (50Hz) / 1minute
- Insertion Force :2-20 N
- Life: 50000 times
- Operating Temperature:-30°C ~ 70°C

Material:

- Terminal 1 : Copper Alloy
- Terminal 2 : Copper Alloy
- Terminal 3 : Copper Alloy
- Terminal 4 : Copper Alloy
- Terminal10 : Brass
- Housing : PA6T



MODEL NO.	SPJ2.5-008	SPJ2.5-008A	SPJ2.5-008B
SCHMATIC			

ORDER INFORMATION

Product NO.: KLS1-SPJ2.5-008A

