

## Dimmer Potentiometer Series

### KLS4-WH116AK-2 (SPDT) Dimmer Potentiometer

#### FEATURES

- \*VDE, NEMKO, CB, RECOGNIZED
- \*Conforms to 1058-1/ENN61058-1 (VDE0630) Standard
- \*High reliability, long life, big switch capacity type
- \*Form C (SPDT-NO) Contact
- \*Glass fiber-filled flame-retardant polymer
- \*Solder terminal
- \*Used for lighting fixture, dimmer, etc

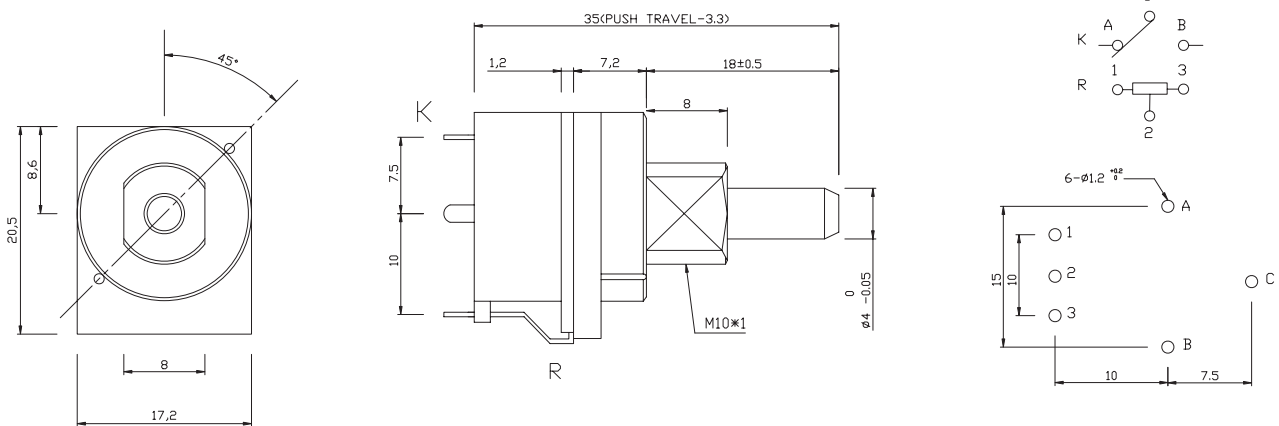
#### MECHANICAL SPECIFICATIONS

- Total Rotation angle:  $270^{\circ} \pm 5^{\circ}$
- Rotation Torque:  $1 \sim 10 \text{mN.m}$
- Shaft Stop strength:  $3 \text{Kgf.cm}$
- Switch working stroke:  $(3 \pm 0.5) \text{mm}$
- Switch working force:  $50 \sim 300 \text{gf.cm}$
- Click position:  $0/15/27/36/\text{detents}$
- Temperature Range:  $-25^{\circ}\text{C} \sim 105^{\circ}\text{C}$
- Mechanical life:  $50000 \text{ cycles}$
- Electrical life:  $30000 \text{ cycles}$

#### ELECTRICAL SPECIFICATIONS

- Range Resistance:  $1 \text{K}\Omega \sim 2 \text{M}\Omega$
- Switch Rating:  $10 \text{A} 250 \text{VAC}$
- Switch contact Resistance:  $30 \Omega \text{ Max.}$
- Rated wattage: Linear taper B  $0.2 \text{W}$ , other tapers  $0.05 \text{W}$
- Rated Voltage:  $250 \text{V}$
- Insulation resistance:  $100 \text{M}\Omega \text{ Min. at DC} 500 \text{V}$
- Dielectric:  $\text{AC} 1500 \text{V}$ , 1 minute (between carbon plate and contact)  
 $\text{AC} 750 \text{V}$ , 1 minute (between open contact)
- Resistance tolerance:  $\pm 20\%$
- Rotational noise:  $\leq 47 \text{mV}$
- Residual resistance:  $\leq 1\% \text{R}$

#### Dimensions (unit: mm)



## ORDER INFORMATION

Product No.: KLS4-WH116AK-2-4x18

Pos. No. \_\_\_\_\_ Shaft dimensions \_\_\_\_\_  
Dimmer potentiometer Series \_\_\_\_\_