

## Dimmer Potentiometer Series

KLS4-WH116AK-4R-2 (SPDT) Dimmer Potentiometer

### FEATURES

- \*VDE, NEMKO, CB, RECOGNIZED
- \*Conforms to 1058-1/ENN61058-1 (VDE0630) Standard
- \*High reliability, long life, big switch capacity type
- \*Form C (SPDT-NO) Contact
- \*Glass fiber-filled flame-retardant polymer
- \*Solder terminal
- \*Used for lighting fixture, dimmer, etc

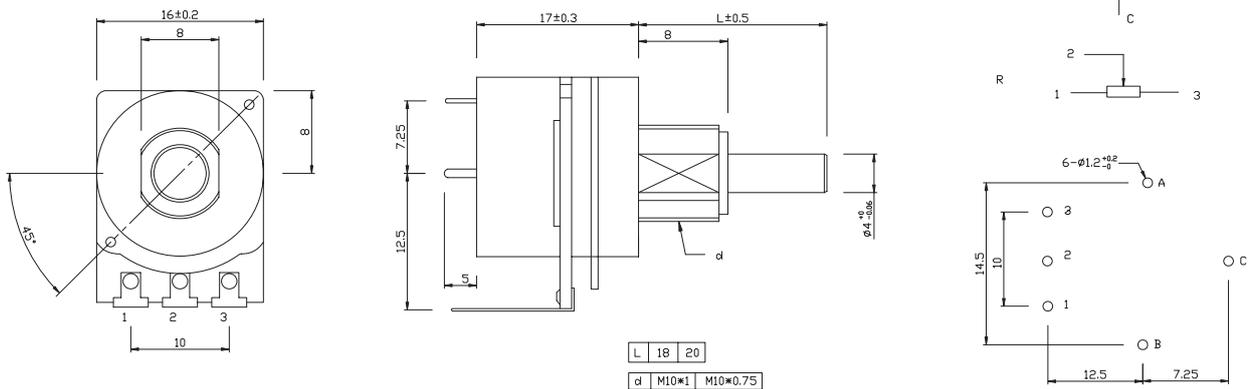
### MECHANICAL SPECIFICATIONS

Total Rotation angle:  $270^{\circ} \pm 5^{\circ}$   
 Rotation Torque:  $1 \sim 10 \text{mN.m}$   
 Shaft Stop strength:  $3 \text{Kgf.cm}$   
 Switch working stroke:  $(3 \pm 0.5) \text{mm}$   
 Switch working force:  $50 \sim 300 \text{gf.cm}$   
 Click position:  $0/15/27/36/\text{detents}$   
 Temperature Range:  $-25^{\circ}\text{C} \sim 105^{\circ}\text{C}$   
 Mechanical life:  $50000 \text{ cycles}$   
 Electrical life:  $30000 \text{ cycles}$

### ELECTRICAL SPECIFICATIONS

Range Resistance:  $1 \text{K}\Omega \sim 2 \text{M}\Omega$   
 Switch Rating:  $10 \text{A} 250 \text{VAC}$   
 Switch contact Resistance:  $30 \Omega \text{ Max.}$   
 Rated wattage: Linear taper B  $0.2 \text{W}$ , other tapers  $0.05 \text{W}$   
 Rated Voltage:  $250 \text{V}$   
 Insulation resistance:  $100 \text{M}\Omega \text{ Min. at DC} 500 \text{V}$   
 Dielectric: AC  $1500 \text{V}$ , 1 minute (between carbon plate and contact)  
                   AC  $750 \text{V}$ , 1 minute (between open contact)  
 Resistance tolerance:  $\pm 20\%$   
 Rotational noise:  $\leq 47 \text{mV}$   
 Residual resistance:  $\leq 1\% \text{R}$

### Dimensions (unit: mm)



## ORDER INFORMATION

Product No.: KLS4-WH116AK-4R-2-M10\*1xL

Pos. No. \_\_\_\_\_ Shaft dimensions \_\_\_\_\_  
 Dimmer potentiometer Series \_\_\_\_\_