

Dimmer Potentiometer Series

KLS4-RV24SD-10 (SPDT) Dimmer Potentiometer

FEATURES

- *VDE, NEMKO, CB, RECOGNIZED
- *Conforms to 1058-1/ENN61058-1 (VDE0630) Standard
- *High reliability, long life, big switch capacity type
- *Form C (SPDT-NO) Contact
- *Glass fiber-filled flame-retardant polymer
- *Solder terminal
- *Used for lighting fixture, dimmer, etc

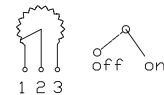
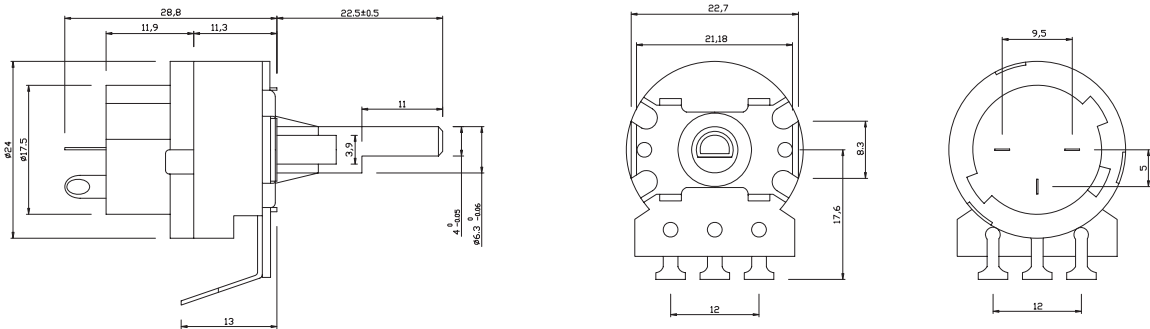
MECHANICAL SPECIFICATIONS

Total Rotation angle: $300^{\circ} \pm 5^{\circ}$
 Rotation Torque: 20~200gf.cm
 Shaft Stop strength: 6Kgf.cm
 Switch working stroke: (3 ± 0.5) mm
 Switch working force: 50~300gf.cm
 Click position: 0/15/27/36/detents
 Temperature Range: $-25^{\circ}\text{C} \sim 105^{\circ}\text{C}$
 Mechanical life: 50000 cycles
 Electrical life: 30000 cycles

ELECTRICAL SPECIFICATIONS

Range Resistance: $1\text{K}\Omega \sim 2\text{M}\Omega$
 Switch Rating: 10A250VAC
 Switch contact Resistance: 30 Ω Max.
 Rated wattage: Linear taper B 0.5W, other tapers 0.25W
 Rated Voltage: 500V
 Insulation resistance: 100M Ω Min. at DC500V
 Dielectric: AC1500V, 1 minute (between carbon plate and contact)
 AC750V, 1 minute (between open contact)
 Resistance tolerance: $\pm 20\%$
 Rotational noise: $\leq 47\text{mV}$
 Residual resistance: $\leq 1\%R$

Dimensions (unit: mm)



ORDER INFORMATION

Product No.: KLS4-RV24SD-10

Pos. No. _____
 Dimmer potentiometer Series _____