

Dimmer Potentiometer Series

KLS4-RV16C-40-5 (SPST) Dimmer Potentiometer

FEATURES

- *VDE, NEMKO, CB, RECOGNIZED
- *Conforms to 1058-1/ENN61058-1 (VDE0630) Standard
- *High reliability, long life, big switch capacity type
- *Form C (SPDT-NO) Contact
- *Glass fiber-filled flame-retardant polymer
- *Solder terminal
- *Used for lighting fixture, dimmer, etc

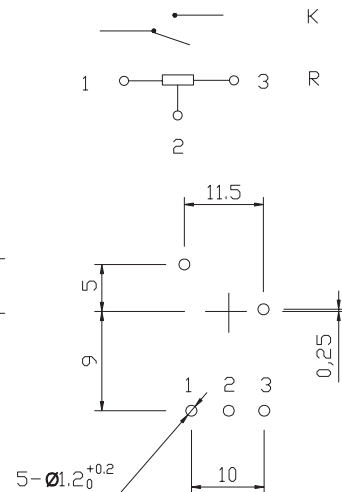
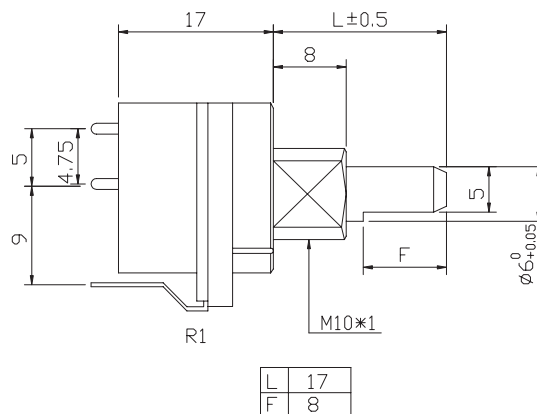
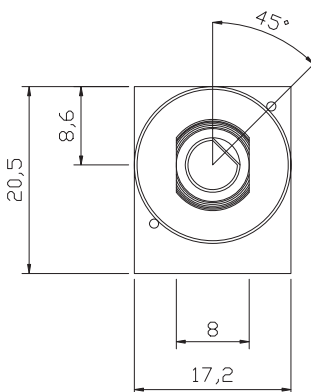
MECHANICAL SPECIFICATIONS

- Total Rotation angle: $270^{\circ} \pm 5^{\circ}$
- Rotation Torque: $1 \sim 10 \text{mN.m}$
- Shaft Stop strength: 3Kgf.cm
- Switch working stroke: $(3 \pm 0.5) \text{mm}$
- Switch working force: $50 \sim 300 \text{gf.cm}$
- Click position: $0/15/27/36/\text{detents}$
- Temperature Range: $-20^{\circ}\text{C} \sim 70^{\circ}\text{C}$
- Mechanical life: 50000 cycles
- Electrical life: 30000 cycles

ELECTRICAL SPECIFICATIONS

- Range Resistance: $1 \text{K}\Omega \sim 2 \text{M}\Omega$
- Switch Rating: $10 \text{A} 250 \text{VAC}$
- Switch contact Resistance: $30 \Omega \text{ Max.}$
- Rated wattage: Linear taper B 0.2W , other tapers 0.05W
- Rated Voltage: 250V
- Insulation resistance: $100 \text{M}\Omega \text{ Min. at DC} 500 \text{V}$
- Dielectric: $\text{AC} 1500 \text{V}$, 1 minute (between carbon plate and contact)
- $\text{AC} 750 \text{V}$, 1 minute (between open contact)
- Resistance tolerance: $\pm 20\%$
- Rotational noise: $\leq 47 \text{mV}$
- Residual resistance: $\leq 1\% \text{R}$

Dimensions (unit: mm)



ORDER INFORMATION

Product No.: KLS4-RV16C-40-5 - L

Pos. No. _____ Shaft dimensions
Dimmer potentiometer Series _____