

## Dimmer Potentiometer Series

### KLS4-RV16A-Φ6S-2 (SPST) Dimmer Potentiometer

#### FEATURES

- \*VDE ,NEMKO ,CB ,RECOGNIZED
- \* Conforms to 1058-1/ ENN61058-1( VDE0630) Standard
- \* High reliability, long life, big switch capacity type
- \* Form C(SPDT-NO) Contact
- \* Glass fiber-filled flame-retardant polymer
- \* Solder terminal
- \* Used for lighting fixture, dimmer, etc

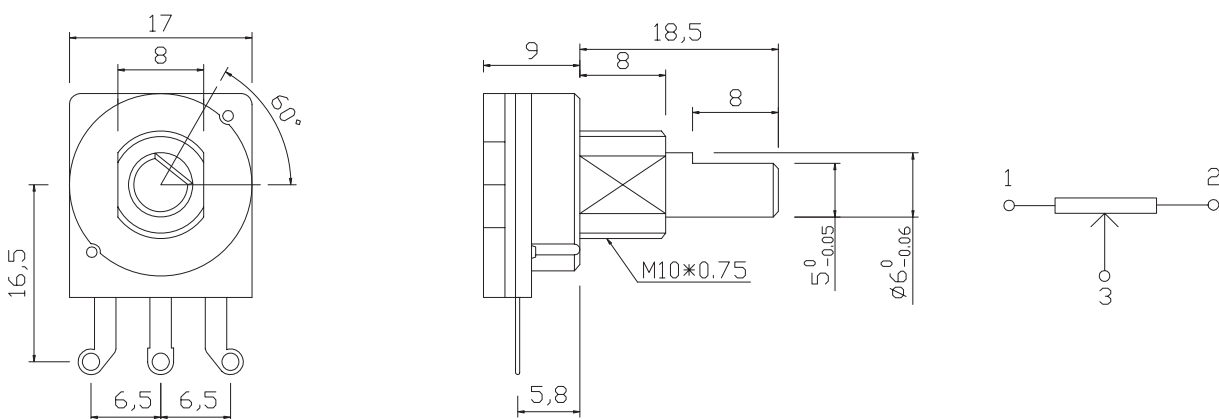
#### MECHANICAL SPECIFICATIONS

Total Rotation angle:  $270^{\circ} \pm 5^{\circ}$   
 Rotation Torque: 1~ 10mN.m  
 Shaft Stop strength: 3Kgf.cm  
 Switch working stroke:  $(3 \pm 0.5)$ mm  
 Switch working force: 50~ 300gf.cm  
 Click position: 0/15/27/36/detents  
 Temperature Range:  $-20^{\circ}\text{C} \sim 70^{\circ}\text{C}$   
 Mechanical life: 50000 cycles  
 Electrical life: 30000 cycles

#### ELECTRICAL SPECIFICATIONS

Range Resistance:  $1\text{K}\Omega \sim 2\text{M}\Omega$   
 Switch Rating: 10A250VAC  
 Switch contact Resistance:  $30\Omega$  Max.  
 Rated wattage: Linear taper B 0.2W, other tapers 0.05W  
 Rated Voltage: 250V  
 Insulation resistance:  $100\text{M}\Omega$  Min. at DC500V  
 Dielectric: AC1500V, 1 minute (between carbon plate and contact)  
                   AC750V, 1 minute (between open contact )  
 Resistance tolerance:  $\pm 20\%$   
 Rotational noise:  $\leq 47\text{mV}$   
 Residual resistance:  $\leq 1\%R$

#### Dimensions (unit: mm)



## ORDER INFORMATION

Product No.: KLS4-RV16A-Φ6S-2

Pos. No. \_\_\_\_\_  
 Dimmer potentiometer Series \_\_\_\_\_