

Dimmer Potentiometer Series

KLS4-RV16C-40-3-30R (DPST) Dimmer Potentiometer

FEATURES

- *VDE ,NEMKO ,CB ,RECOGNIZED
- * Conforms to 1058-1/ ENN61058-1(VDE0630) Standard
- * High reliability, long life, big switch capacity type
- * Form C(SPDT-NO) Contact
- * Glass fiber-filled flame-retardant polymer
- * Solder terminal
- * Used for lighting fixture, dimmer, etc

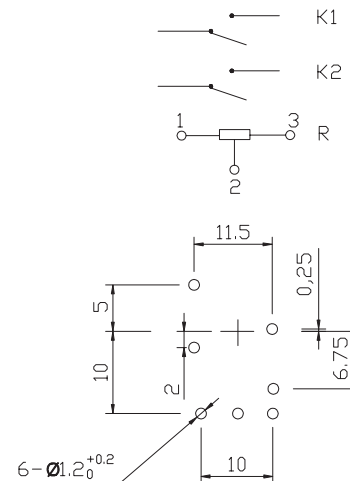
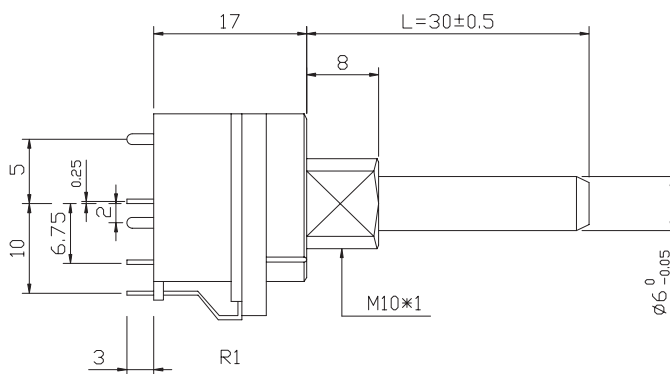
MECHANICAL SPECIFICATIONS

- Total Rotation angle: $270^{\circ} \pm 5^{\circ}$
- Rotation Torque: 1~10mN.m
- Shaft Stop strength: 3Kgf.cm
- Switch working stroke: (3 ± 0.5) mm
- Switch working force: 50 ~300gf.cm
- Click position:0/15/27/36/detents
- Temperature Range: $-20^{\circ}\text{C} \sim 70^{\circ}\text{C}$
- Mechanical life:50000 cycles
- Electrical life:30000 cycles

ELECTRICAL SPECIFICATIONS

- Range Resistance:1K Ω ~2M Ω
- Switch Rating:10A250VAC
- Switch contact Resistance:30 Ω Max.
- Rated wattage: Linear taper B 0.2W, other tapers 0.05W
- Rated Voltage: 250V
- Insulation resistance: 100M Ω Min. at DC500V
- Dielectric: AC1500V, 1 minute (between carbon plate and contact)
AC750V, 1 minute (between open contact)
- Resistance tolerance: $\pm 20\%$
- Rotational noise: ≤ 47 mV
- Residual resistance: $\leq 1\%R$

Dimensions (unit: mm)



ORDER INFORMATION

Product No.: KLS4-RV16C-40-3-30R - L

Pos. No.

Dimmer potentiometer Series

Shaft dimensions