

## Trimmer Potentiometer

### KLS4-PT10 Series

#### FEATURES

- Carbon resistive element.
- Dust proof enclosure.
- Polyester substrate.
- Also upon request:
  - \*Wiper positioned at 50% or fully clockwise
  - \*Supplied in magazines for automatic insertion
  - \*Long life model for low cost control potentiometer applications
  - \*Self extinguishable plastic UL 94V-0
  - \*Cut track option
  - \*Special tapers
  - \*Mechanical detents
  - \*Low & extra low torque versions
  - \*Special switch option



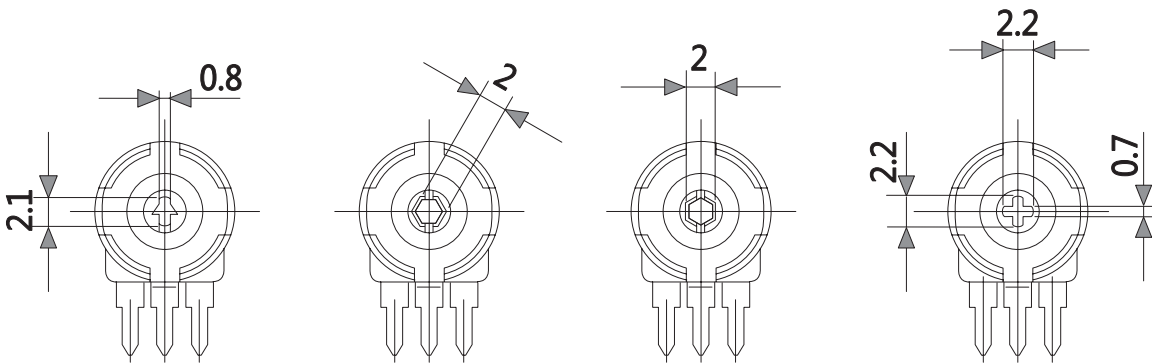
#### MECHANICAL SPECIFICATIONS

- Mechanical Rotation angle:  $235^{\circ} \pm 5^{\circ}$
- Electrical Rotation angle:  $220^{\circ} \pm 20^{\circ}$
- Torque: 0.4 to 2 Ncm. (0.6 to 2.7 in-oz)
- Stop torque:  $> 5$  Ncm. ( $> 7$  in-oz)
- Life: 10000cycles

#### ELECTRICAL SPECIFICATIONS

- Range of value:  $100\Omega \leq R_n \leq 5M\Omega$   
(Decad. 1.0-2.0-2.2-2.5-4.7-5.0)
- Tolerance:  $100\Omega \leq R_n \leq 1M\Omega \pm 20\%$  ;  
 $1M\Omega \leq R_n \leq 5M\Omega \pm 30\%$
- Max. voltage: 200 VDC (lin) 100VDC (no lin)
- Rated Power: 0.15W (lin) 0.07W (no lin)
- Taper: lin; log; alog
- Residual resistance:  $\leq 5\%$   $R_n (3\Omega \text{ min})$
- Equivalent noise resistance:  $\leq 3\%$   $R_n (3\Omega \text{ min})$
- Operating temperature:  $-25^{\circ}\text{C} \sim +70^{\circ}\text{C}$

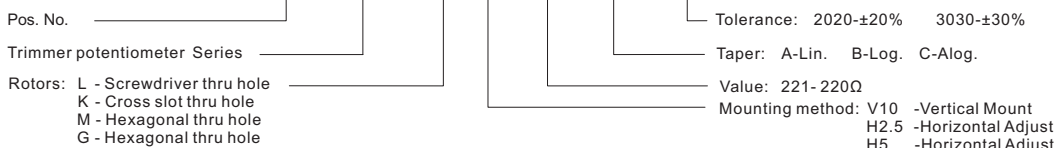
## Rotors



L - Screwdriver thru hole    M - Hexagonal thru hole    G - Hexagonal thru hole    K - Cross slot thru hole

## ORDER INFORMATION

Product No.: **KLS4-PT10-M-V 221-A-2020**

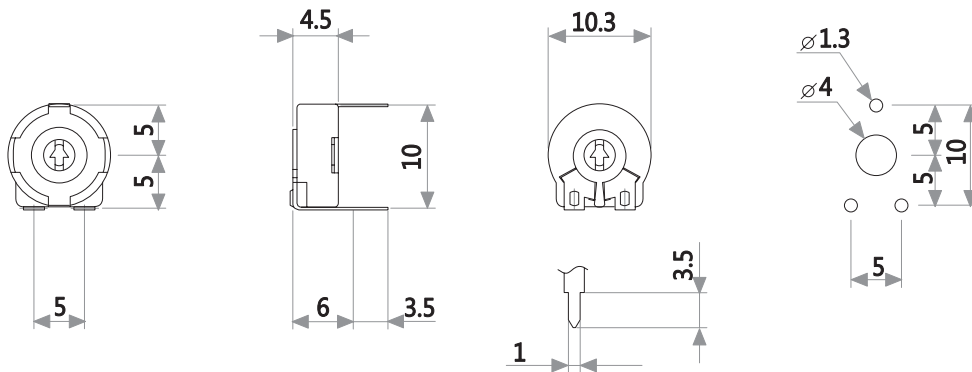


## Trimmer Potentiometer

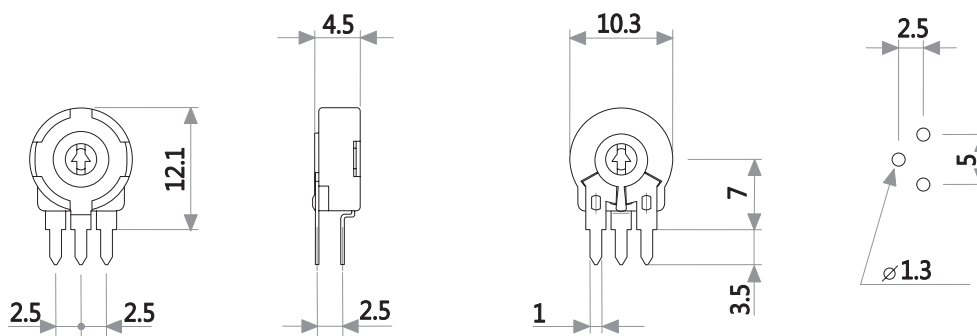
KLS4-PT10 Series

### Mounting Methods

V10 = Horizontal mount / Vertical adjust



H2.5 = Vertical mount / Horizontal adjust



H5 = Vertical mount / Horizontal adjust

