

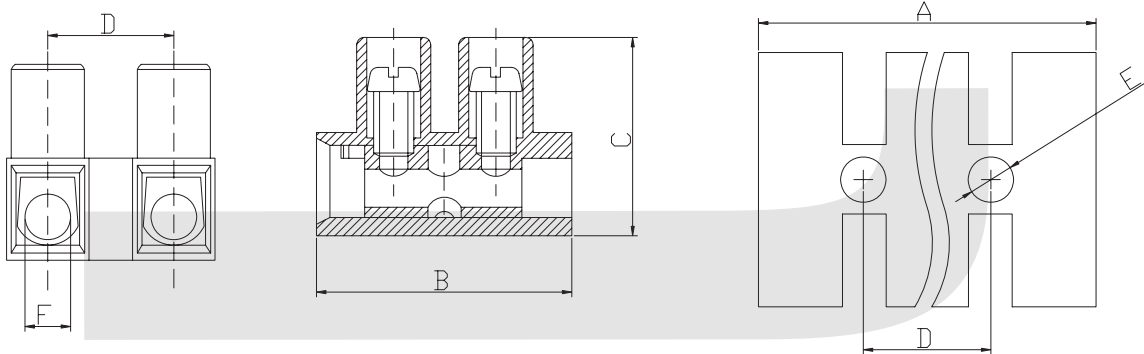
TERMINAL BLOCK Connector

Strip Series

KLS2-610-H1.2 Series

Material

Base: With 1.2mm elevated base
Housing material: PA66, UL94V-2
Terminal material: Cladded copper strips, Zn plated
Screws: Steel
Working temperature: -40°C ~ +105°C
Poles available: 2-12 Poles



Model	MM ²	Amp	Volt	Screw	Dimensions(mm / in.)						
					Unit	A	B	C	D	E	F
KLS2-610-H1.2	1.5	17.5A	450V	M2.6x5	MM	96.0	17.8	15.5	8.2	3.0	2.8
KLS2-620-H1.2	2.5	24A	450V	M3.0x6	MM	116.5	20.0	16.7	10.0	3.5	3.3
KLS2-630-H1.2	6.5	41A	750V	M3.5x7	MM	140.7	23.8	19.0	12.0	3.9	3.9
KLS2-640-H1.2	10.0	57A	750V	M4x9	MM	158.0	25.6	25.2	13.5	4.4	4.8
KLS2-650-H1.2	16.0	76A	750V	M4x9	MM	169.8	28.0	23.0	14.5	4.2	6.0
KLS2-660-H1.2	25.0	101A	750V	M5x11	MM	194.4	36.9	28.7	16.5	4.2	7.5

ORDER INFORMATION

Product NO.: KLS2-610-H1.2-XX-W

Pos. NO. _____ Color W=White B=Black
See Drawing _____ Pin Number _____