

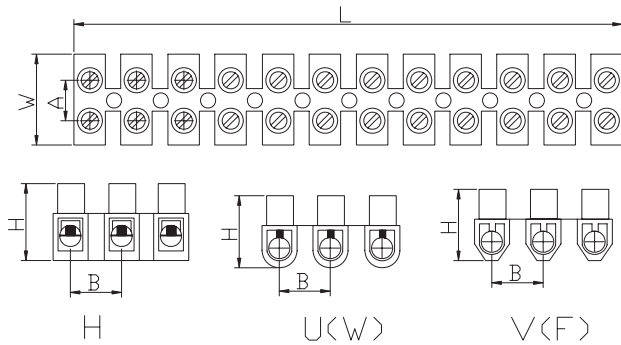
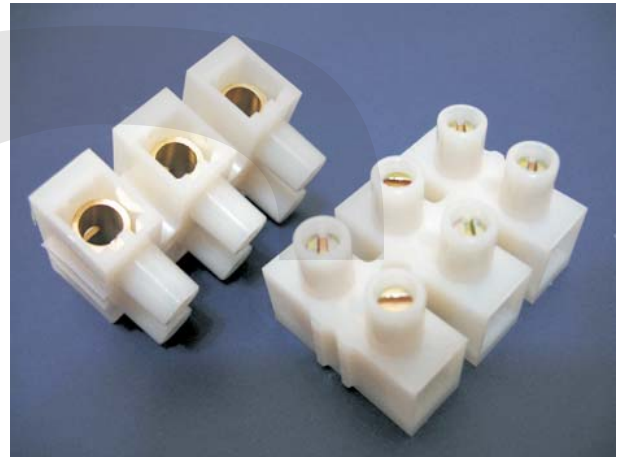
TERMINAL BLOCK Connector

Strip Series

KLS2-3A-4MM-H(U,V) Series

Material

Base: Flat-bottom
Housing material: PE, UL94V-2
Terminal material: Brass
Working temperature: -40°C~+105°C
Poles available:2-12 Poles



Model	wire range (mm)	Amp	Volt	PCS/Ctn	G.w.	L	W	H	A	B	Ctn Size
KLS2-3A-4	4	3A	400V	1000	19	93	16	12	6	8	41.5*21*24.5
KLS2-6A-6	6	6A	400V	1000	24	115	15.7	13	6.5	9.5	42*25*28
KLS2-10A-10	10	10A	400V	500	18	126	20.2	15.5	8.4	10.5	39*28*24
KLS2-15A-12	12	16A	400V	500	26	139	23	17.7	10.3	12	43*30*27
KLS2-20A-14	14	20A	400V	500	27	155	25	19.2	11.5	13.5	43*30*27
KLS2-30A-16	16	30A	400V	300	25	171	26	20.5	12	14.5	54*28*22.5
KLS2-60A-25	25	60A	400V	200	24	192	30	26	13.5	16.5	41*32.5*21
KLS2-80A-30	30	80A	400V	100	16	205	33	27	15	17	55*21*28
KLS2-100A-40	40	100A	400V	50	18	250	46	31	22	21	54*25*20

ORDER INFORMATION

Product NO.: KLS2-XXA-4-H-XX

Pos. NO.

Pin Number
Molded shape
See Drawing