

PHONE JACK Connector

PHONE JACK Series

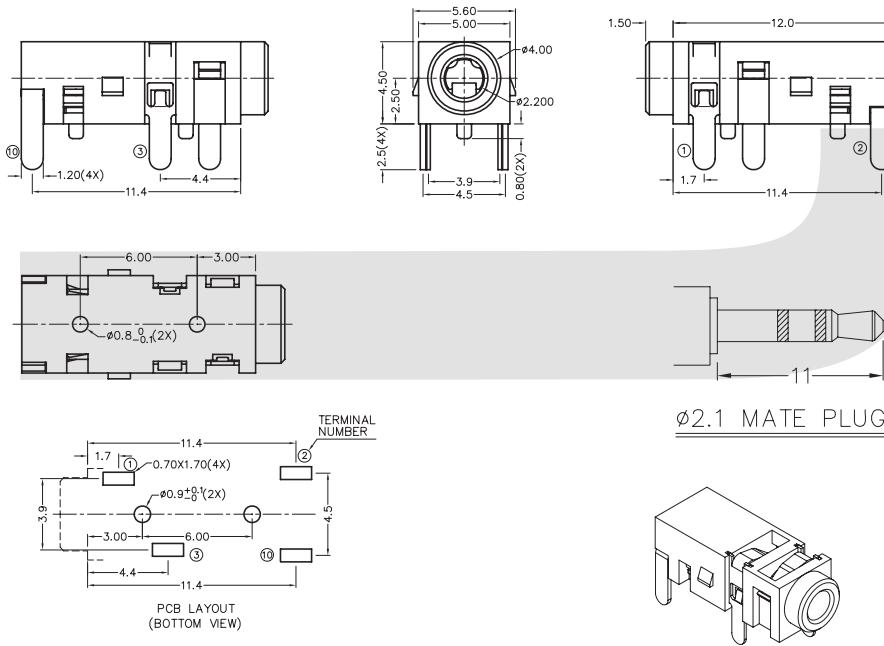
KLS1-TSJ-2.1-001A 2.1mm Dip Stereo Jack Type

Electrical Specification:

Rating: 0.5A 30V DC
 Contact Resistance: 30mΩ max
 Insulation Resistance: 100mΩ min at 500V DC
 Dielectric Strength (V): AC 500V(50Hz) for 1 min
 Life: 5000 Cycles
 Temperature: -30°C~+70°C
 Insertion and Extraction Force: 3-20N

Material:

Housing Material: PA66
 Center Pin Material:
 Terminal 1 : Copper Alloy
 Terminal 2 : Copper Alloy
 Terminal 3 : Copper Alloy
 Terminal 10 : Brass



MODEL NO.	TSJ-2.1-001A	TSJ-2.1-001A-1	TSJ-2.1-001A-2
SCHEMATIC			

ORDER INFORMATION

Product NO.: KLS1-TSJ-2.1-001A-1

Pos. NO.

Φ2.1 Dip Stereo Jack Type

Schematic: See Annex