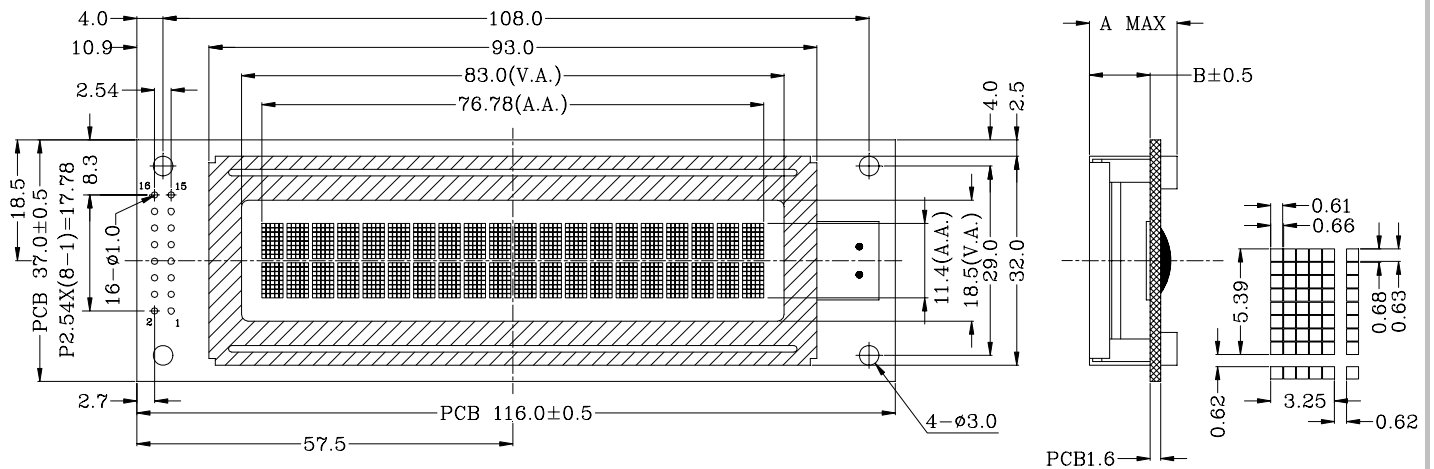


Outline Dimension



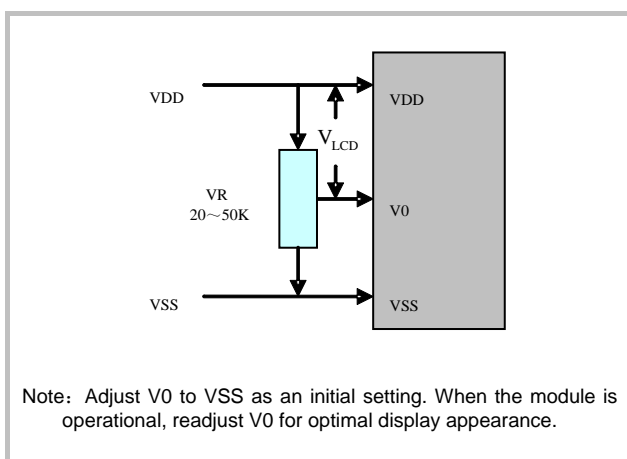
Feature :

- 1、 20x2 Characters
- 2、 STN/TRANSFLECTIVE/POSITIVE/Y-G
- 3、 Yellow-Green/ Bottom Backlight (LED)
- 4、 Operating Temp.: -10°C ~ +60°C
- 5、 1/16 duty cycle, 1/5 Bias
- 6、 Built-in Controller (SPLC780D1 or equivalent)
- 7、 Viewing angle: 6 o'clock

Absolute Maximum Rating :

| Item | Symbol | Standard value | | | Unit |
|------------------------|----------------------------------|-----------------|-----------------|----------------------|------|
| | | M _{IN} | T _{YP} | M _{AX} | |
| Power supply for logic | V _{DD} -V _{SS} | -0.3 | -- | 7.0 | V |
| Input voltage | V _I | -0.3 | -- | V _{DD} +0.3 | V |

Adjusting Display Contrast :



Character Type

Electrical Characteristic :

(V_{SS}=0V, T_a = 25°C)

| Parameter | Symbol | Condition | M _{IN} | T _{YP} | M _{AX} | Unit |
|------------------------------|------------------|-----------|-----------------|-----------------|-----------------|------|
| Supply voltage for logic | V _{DD} | -- | 4.8 | 5.0 | 5.2 | V |
| Supply current for logic | I _{DD} | -- | -- | 2 | -- | mA |
| Operating voltage for LCD | V _{LCD} | -10°C | -- | -- | -- | V |
| | | +25°C | -- | 4.7 | -- | V |
| | | +60°C | -- | -- | -- | V |
| Supply voltage for Backlight | V _{BL} | -- | -- | 5.0 | -- | V |
| Supply current for Backlight | I _{BL} | -- | -- | 170 | -- | mA |

Interface Pin Connections :

| Pin No. | Symbol | Level | Description |
|---------|---------|-------|--|
| 1 | VSS | 0V | Ground. |
| 2 | VDD | +5.0V | Supply voltage for logic operating. |
| 3 | V0 | -- | Adjusting voltage for LCD driving (variable). |
| 4 | RS | H/L | A signal for selecting registers: 1: Data Register (for read and write) 0: Instruction Register (for write), Busy flag-Address Counter (for read). |
| 5 | R/W | H/L | R/W = "H": Read mode. R/W = "L": Write mode. |
| 6 | E | H/L | An enable signal for writing or reading data. |
| 7-14 | DB0-DB7 | H/L | 8-bit bi-directional data bus. |
| 15 | LED- | 0V | The backlight ground. |
| 16 | LED+ | +5.0V | Power supply for Backlight |