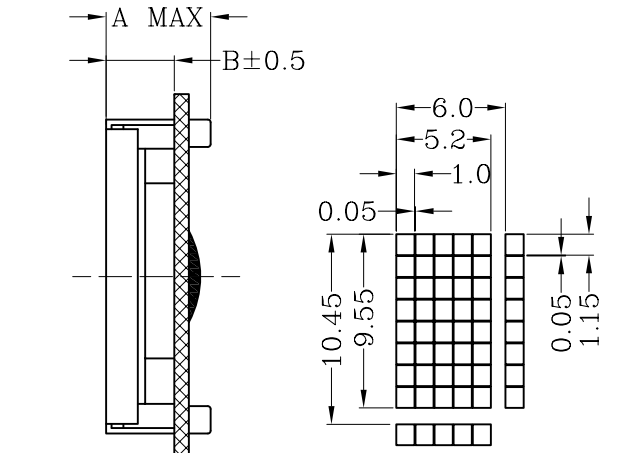
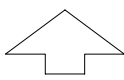


TYPE	A	B
LED B/L	12.0	7.5



DETAIL DOTS
SCALE: 2:1



VIEWING

PIN	1	2	3	4	5	6	7	8	9	10	11	12	13	14	15	16
NAME	VSS	VDD	V0	RS	R/W	E	DB0	DB1	DB2	DB3	DB4	DB5	DB6	DB7	LED+	LED-

SPECIFICATIONS

1. DISPLAY TYPE: STN / TRANSMISSIVE / NEGATIVE / BLUE
 2. LCD DRIVING VOLTAGE: 5.0 V
 3. LOGIC VOLTAGE: 5.0 V
 4. VIEWING DIRECTION: 6 O'CLOCK
 5. OPERATING TEMP: -20° C ~70° C
 6. STORAGE TEMP: -30° C ~80° C
 7. DRIVE MODE: 1 / 16 DUTY, 1 / 5 BIAS
 8. BACKLIGHT: WHITE /SIDE/BACKLIGHT/5.0 V
 9. OTHER:
- MECHANICAL TOL.±0.3UNLESS SPECIFIED

NOTE:

DESCRIPTION:

C/D

SCALE: FIT			
SHEET: 1 OF 1			
	PROJECTION	MODEL	SERIAL NUMBER
UNIT:	mm	TC1602D-02T	MLX1522
APP:		CHK:	DWN:
DATE:		DATE:	DATE: