

# Switch

## Slide Switch Series

KLS7-SS41-23D06 (2P3T) Slide Switch Series

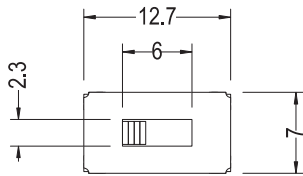
### SPECIFICATIONS

Rating: 0.3A 50VDC  
 Contact Resistance: 30mΩ Max  
 Insulation Resistance: 500VDC 100MΩ Min  
 Dielectric Strength: 500V AC 1 Minute  
 Operating Force: 100gf~800gf  
 Electrical Life : 10,000 cycles

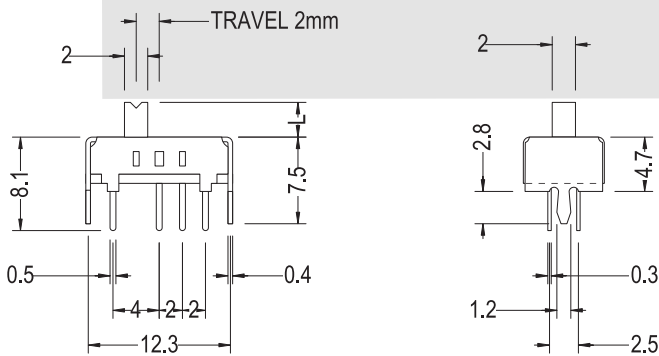
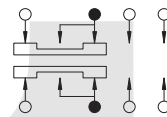


VII

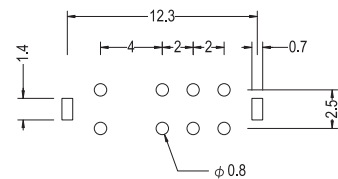
L=2 - 9



### SCHEMATIC



### P.C.B. HOLE DETAIL



## ORDER INFORMATION

KLS7-SS41 - 2 3 D 06 - X X - X

Part Number ————  
 Slide Switch Type ————  
 Pole ————  
 Throw ————

Travelling					
C	D	E	F	G	H
1.5	2.0	2.5	3.0	3.5	4.0
I	J	K	L	N	P
4.5	5.0	5.5	6.0	7.0	8.0

Operating Force ————  
 Knobe Height ————  
 Sequential No. ————

